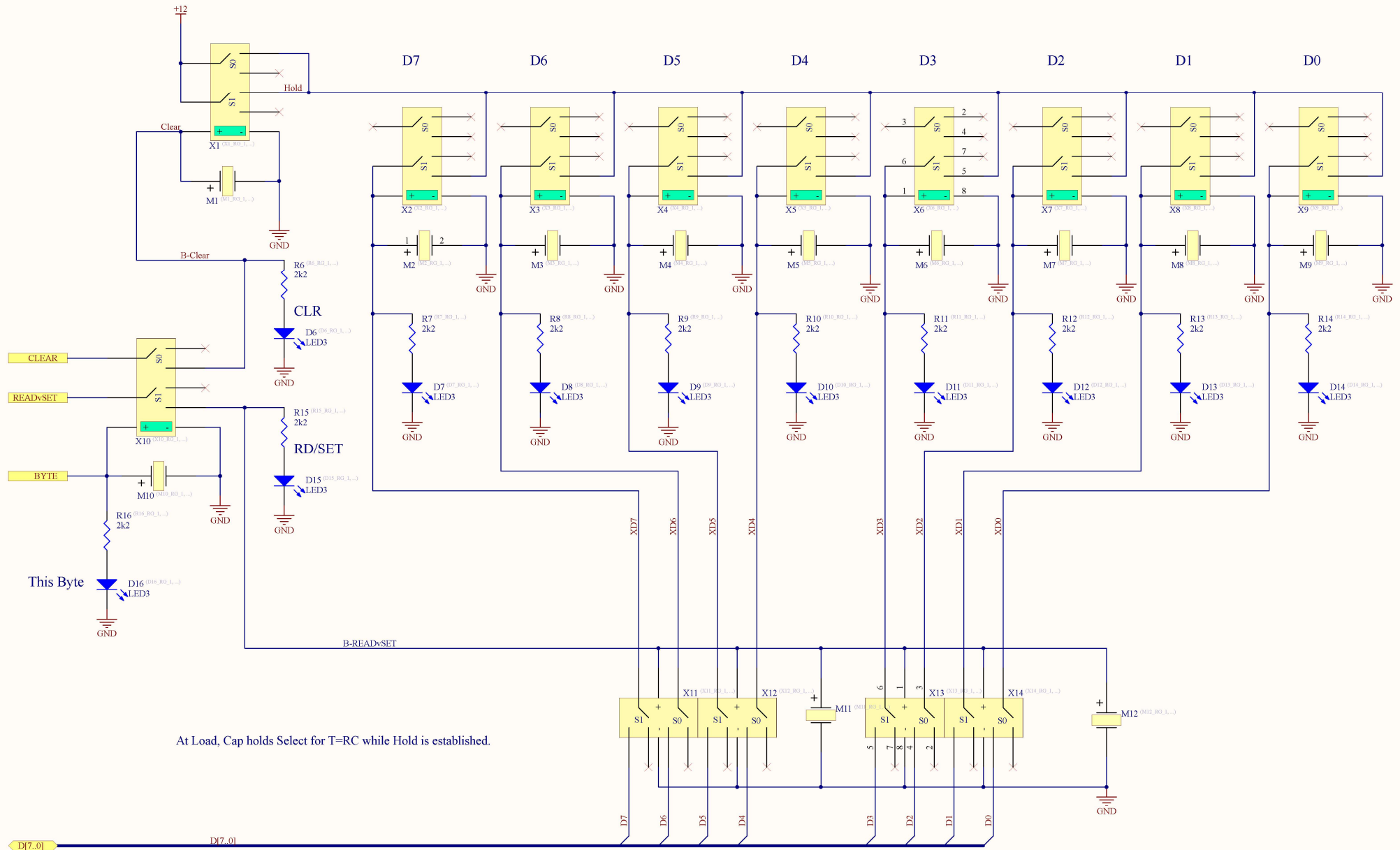
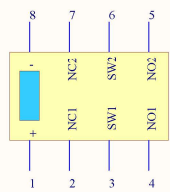
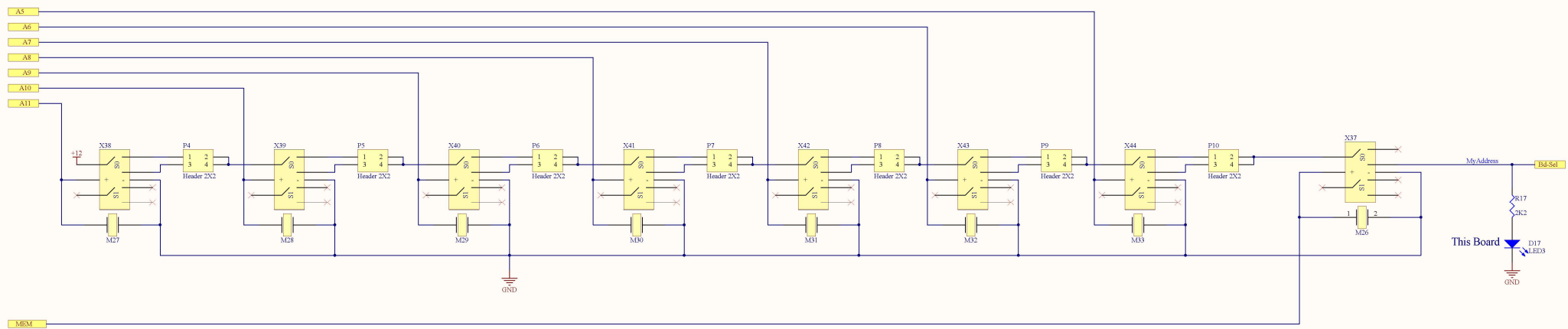


Title		
Size	Number	Revision
A3		
Date:	10/02/2024	Sheet of
File:	C:\Users\...VerySolidRAM32Top.SchDoc	Drawn By:



At Load, Cap holds Select for T=RC while Hold is established.

Title		
Size	Number	Revision
A3		
Date:	10/02/2024	Sheet of
File:	C:\Users\A\Register-RAm32.SchDoc	Drawn By:

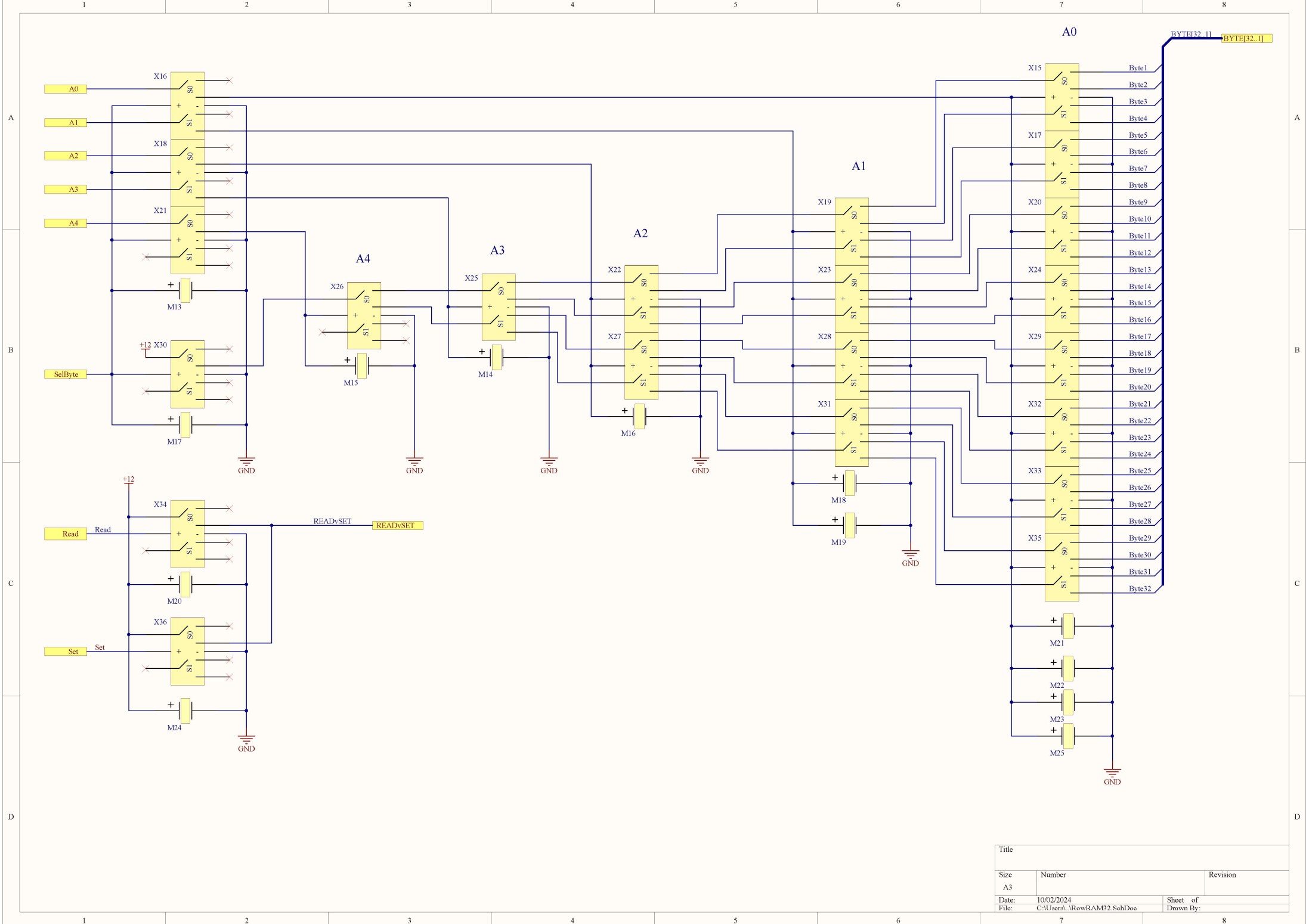


G6K-2G-Y physical, top view

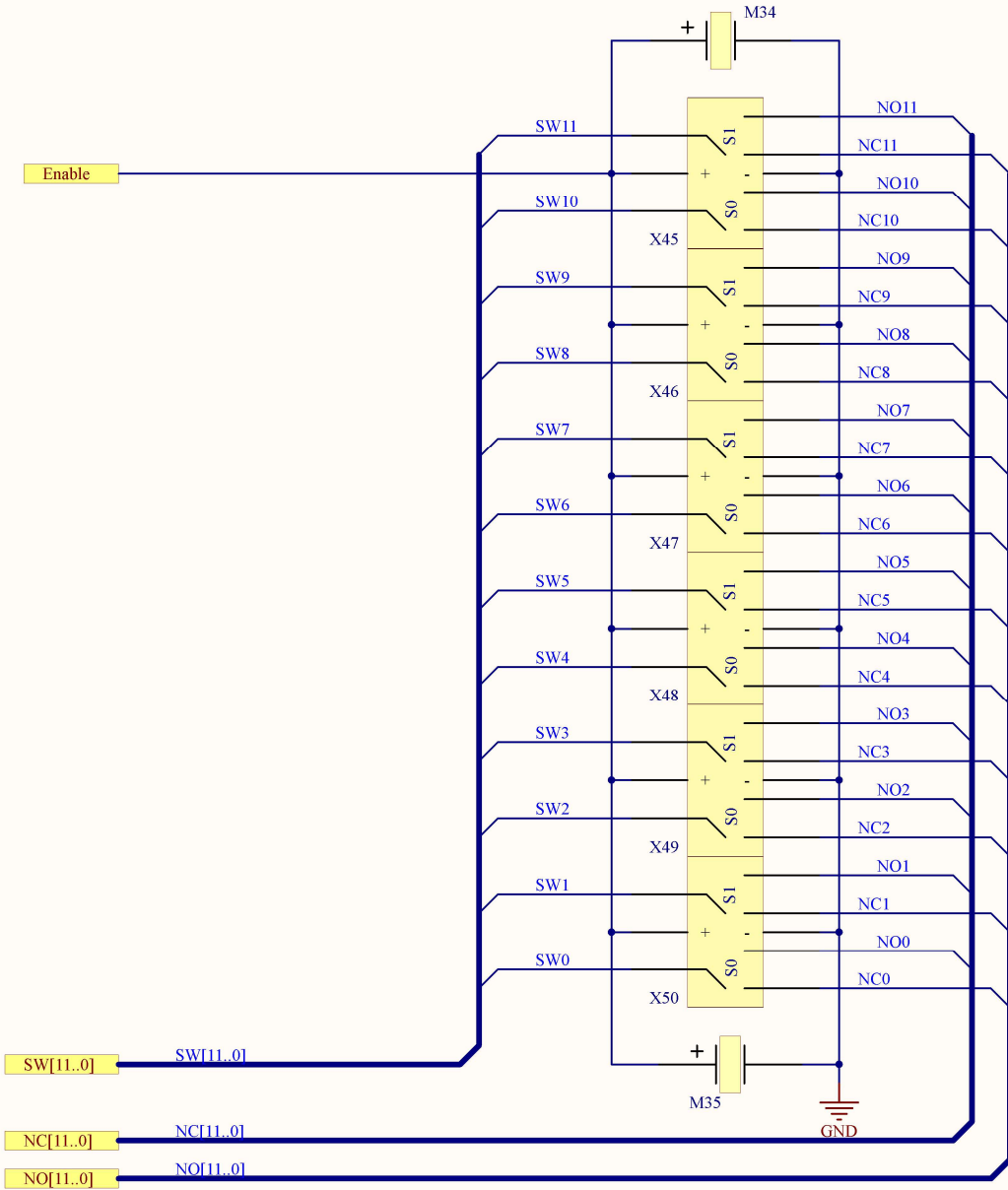
Place jumpers on the dual 2-pin connectors to select 1 or 0 per address line.
 With all higher address lines available each memory unit of 32 bytes can be located anywhere in the memory space.

All standard Relays G6K-2G-Y or equivalent

Title		
Address Block select		
Size	Number	Revision
A2		
Date	10/02/2024	Sheet of
File	C:\Users\..._Bdsel-RAM\B3.SchDoc	Drawn By:



Title		
Size	Number	Revision
A3		
Date:	10/02/2024	Sheet of
File:	C:\Users\A\RowRAM32_SehDoe	Drawn By:



Title		
Size	Number	Revision
A4		
Date:	10/02/2024	Sheet of
File:	C:\Users\...\BusBuf12.SchDoc	Drawn By:

1

2

3

4

A

A

B

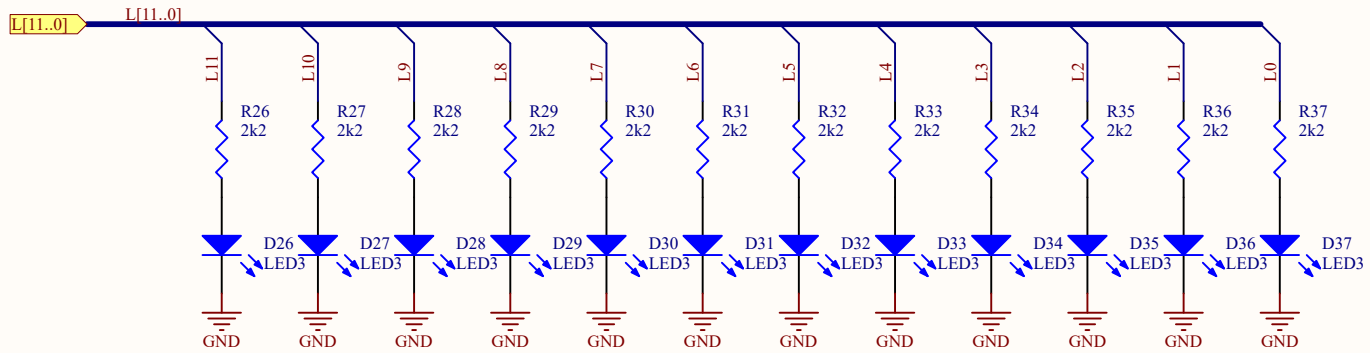
B

C

C

D

D



Title		
Size A4	Number	Revision
Date:	10/02/2024	Sheet of
File:	C:\Users\...RAM32LEDS12.SchDoc	Drawn By:

1

2

3

4

1

2

3

4

A

A

B

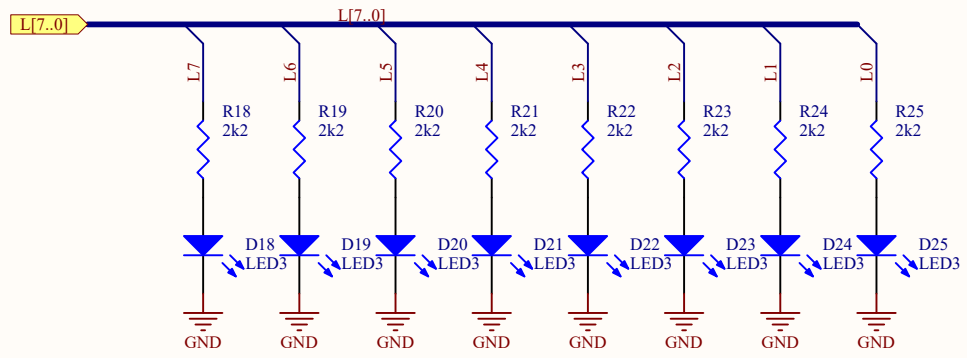
B

C

C

D

D



Title		
Size A4	Number	Revision
Date:	10/02/2024	Sheet of
File:	C:\Users\...RAM32LEDS8.SchDoc	Drawn By:

1

2

3

4