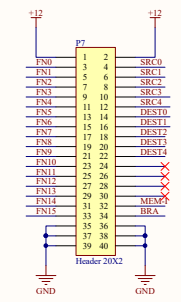
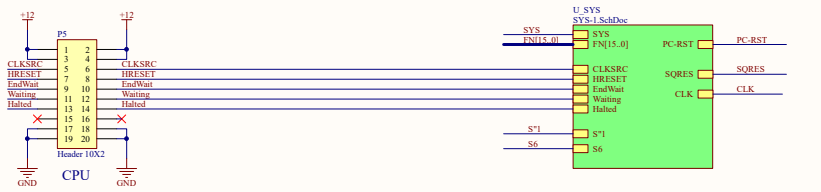
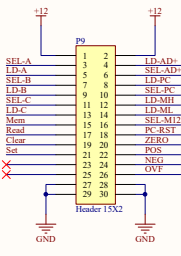
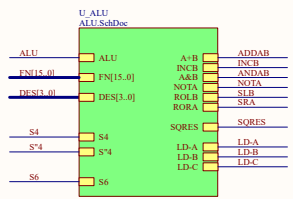
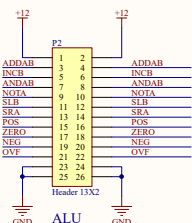


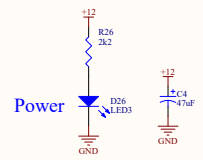
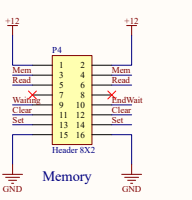
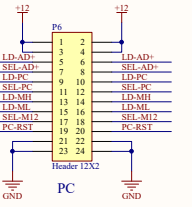
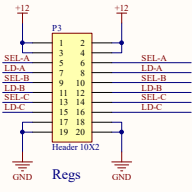
CPU-B connectors



CPU-B connectors



CPU-B connectors



IR7	IR6	IR5	IR4	IR3	IR2	IR1	IR0
0	0	A/F	F	F	F	D	D

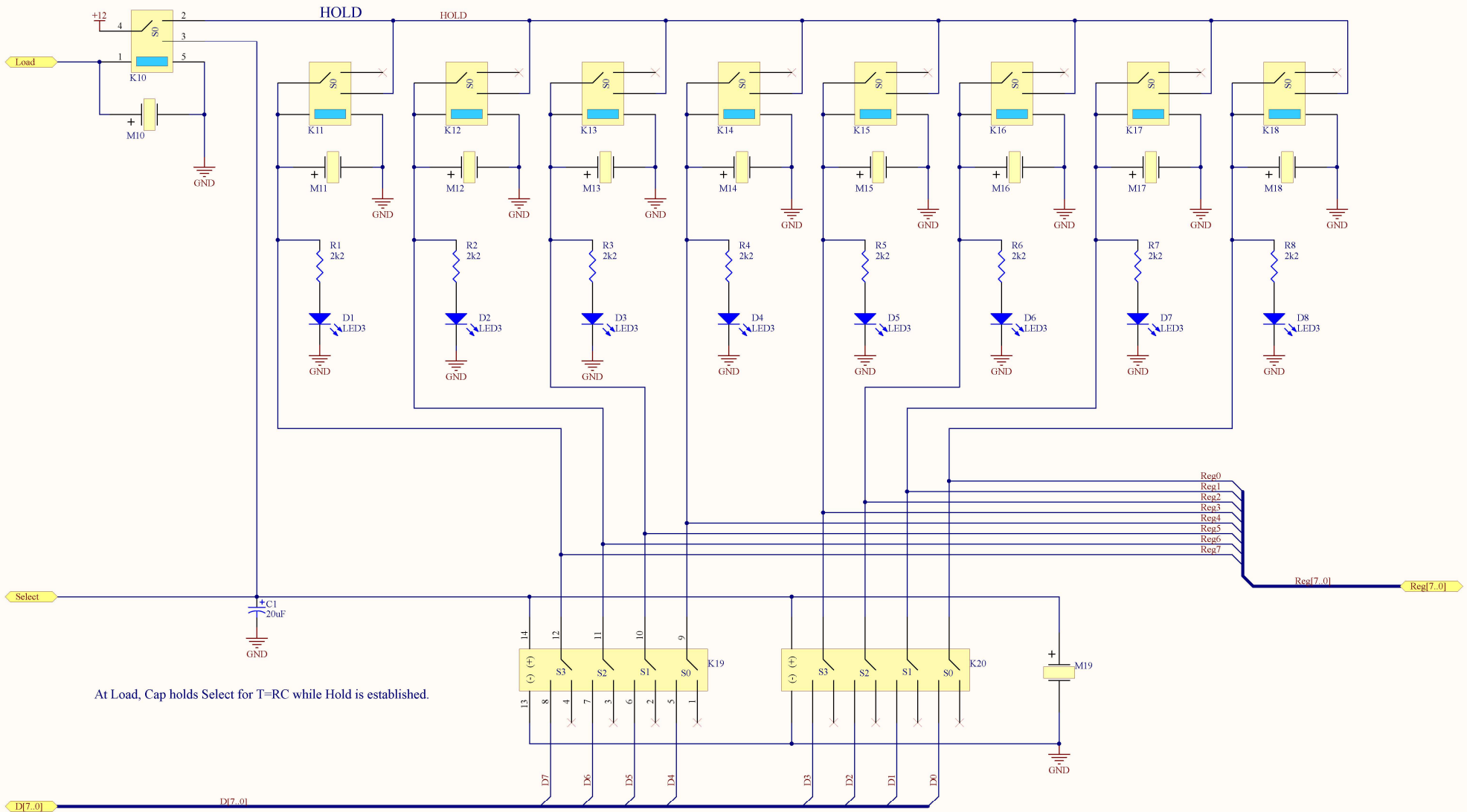
2/4/2 instructions

IR7	IR6	IR5	IR4	IR3	IR2	IR1	IR0
1	1	S	S	S	D	D	D

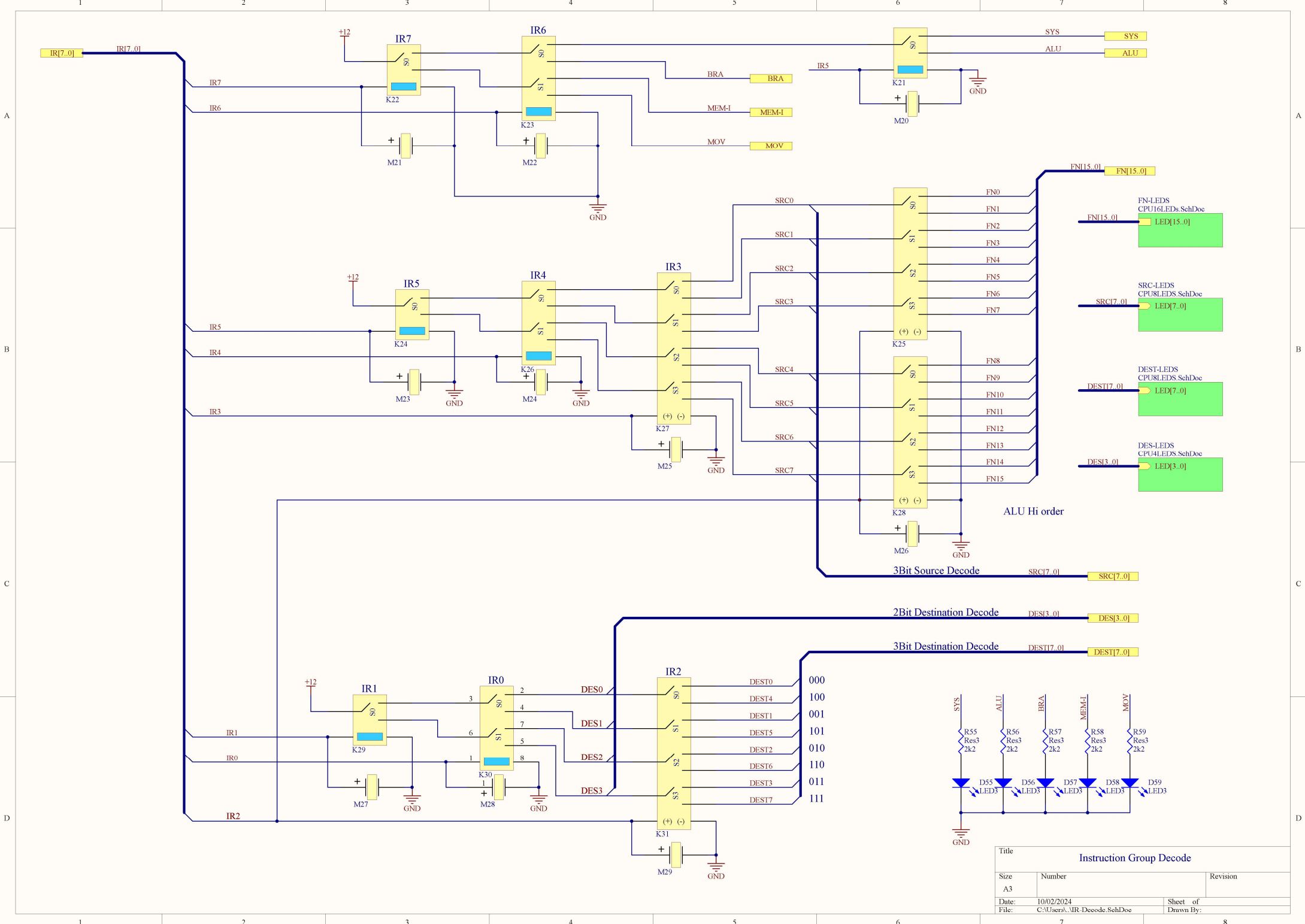
2/3/3 instructions

- Headers Available
- 10
- 14
- 16
- 20
- 24
- 26
- 30
- 34
- 40

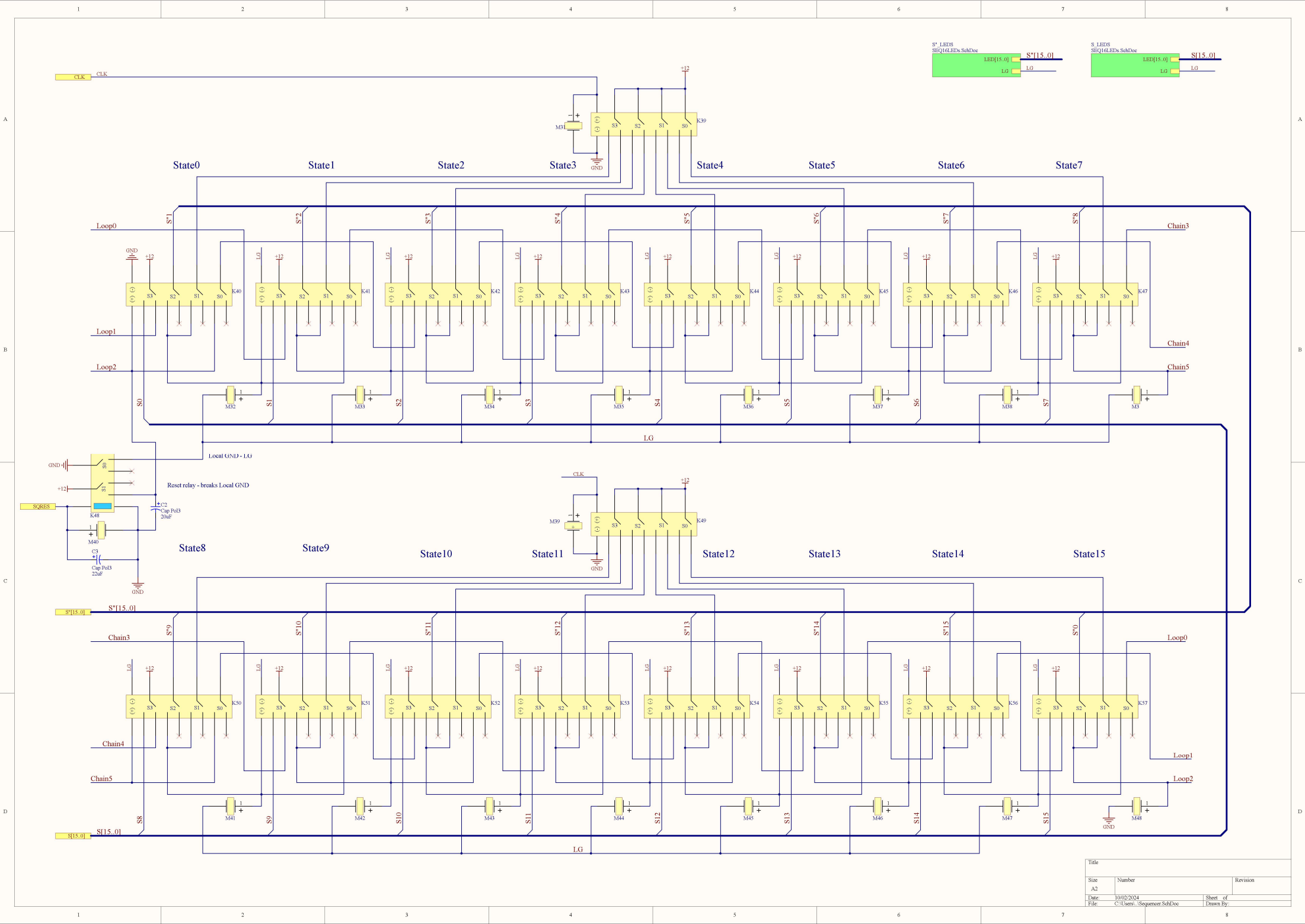
Title		
Size	Number	Revision
A2		
Date:	10/07/2024	Sheet of
File:	C:\Users\...CPU-A.SchDoe	Drawn By:



Title			Generic 8 bit Register		
Size	Number			Revision	
A3					
Date:	10/02/2024	Sheet of			
File:	C:\Users\...MnatRegister.SchDoc	Drawn By:			



Title		
Instruction Group Decode		
Size	Number	Revision
A3		
Date:	10/02/2024	Sheet of
File:	C:\Users\U.MR-Decode.SchDoc	Drawn By:

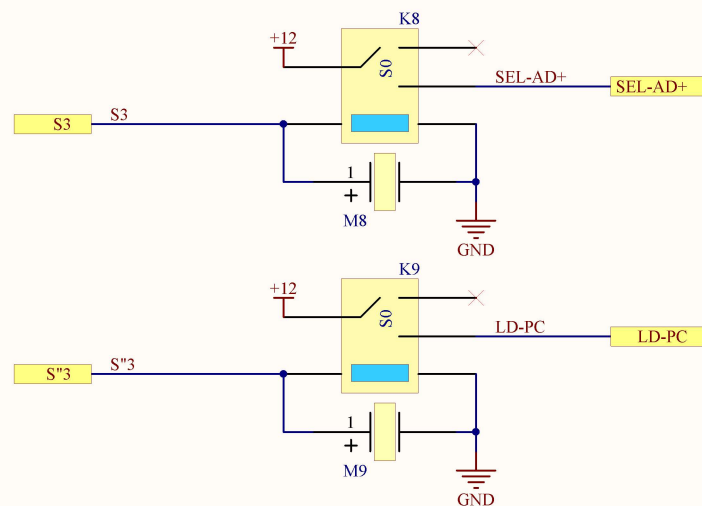
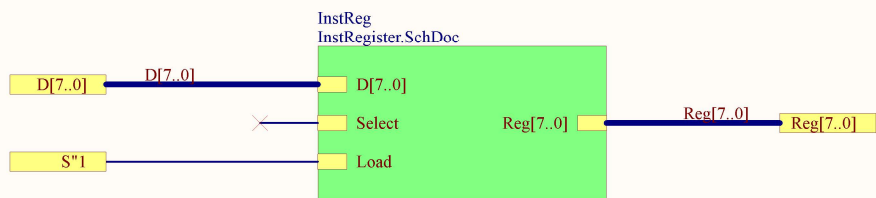
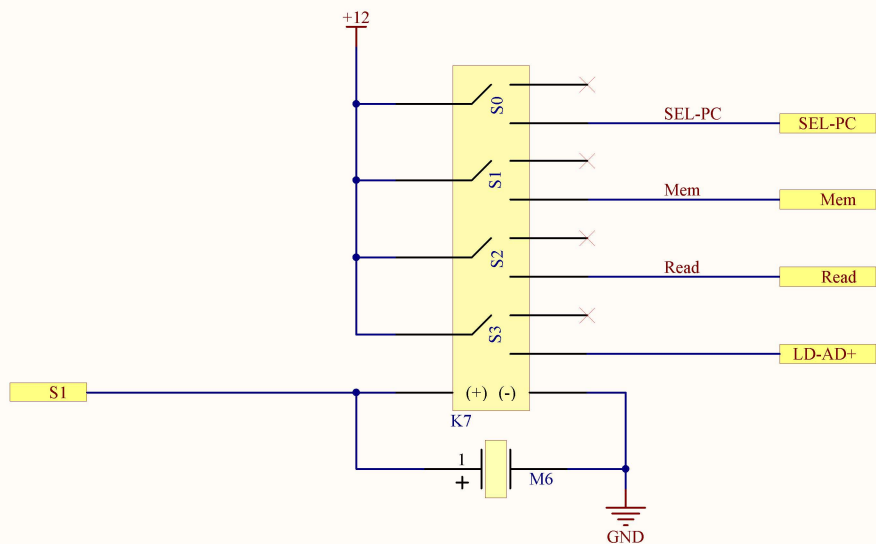


S*_LEDS SEQ16L.EDs SchDec S*15_01
 LED[15_01] LG

S_LEDS SEQ16L.EDs SchDec S15_01
 LED[15_01] LG

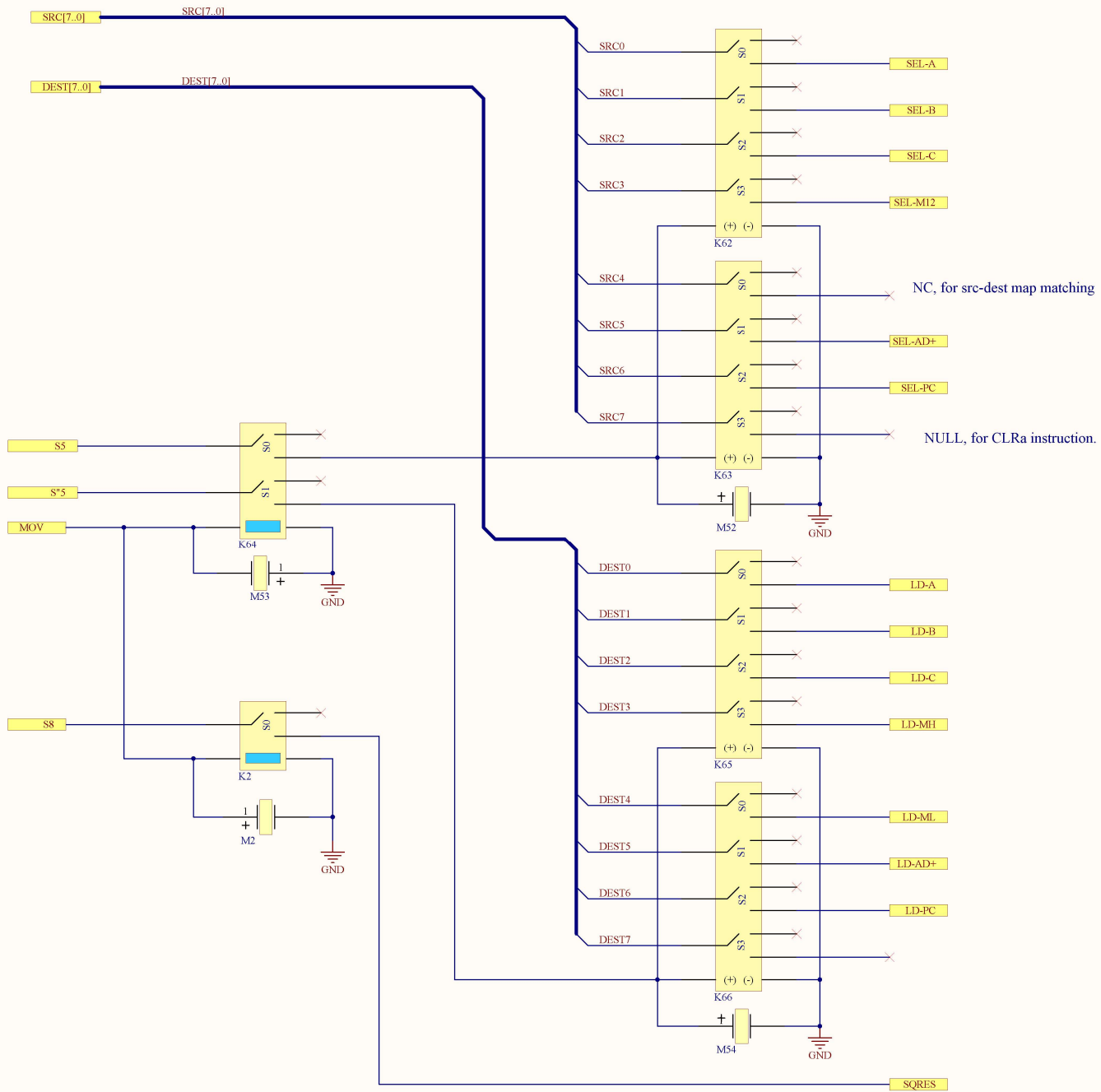
Title	Number	Revision
Size	A2	
Date	10/02/2024	Sheet of
File	C:\Users\... \Sequencer.SchDec	Drawn By:

Fetch: access mem, PC, Load IR



Fetch/Increment: Load PC+

Title		
FETCH		
Size	Number	Revision
A4		
Date:	10/02/2024	Sheet of
File:	C:\Users\...\Fetch.SchDoc	Drawn By:



MOV 2/3/3

I	I	S	S	S	D	D	D
---	---	---	---	---	---	---	---

- | | |
|----------|---------|
| A=000 | A=000 |
| B=001 | B=001 |
| C=010 | C=010 |
| M=011 | MH=011 |
| nc=100 | ML=100 |
| AD+=101 | AD+=101 |
| PC=110 | PC=110 |
| NULL=111 | nc=111 |

Move Register:
 MOVA,B
 MOVA,C
 MOVB,A
 MOVB,C
 MOVC,A
 MOVC,B
 CLRA
 CLRB
 CLRC

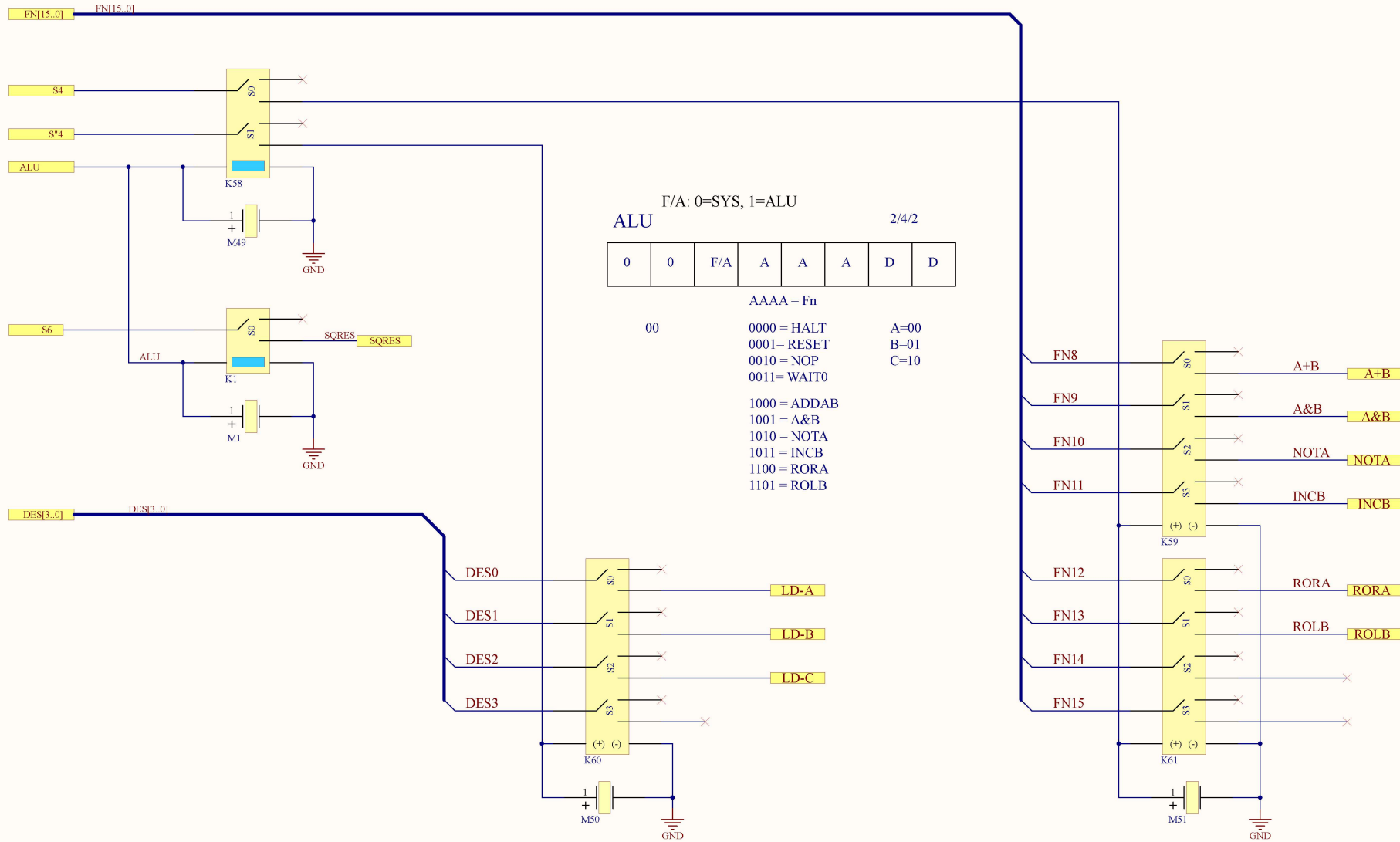
MOVA,ML
 MOVA,MH
 MOVB,ML
 MOVB,MH
 MOVC,ML
 MOVC,MH

MOVAD+,PC
 MOVPC,AD+
 MOVMI2,PC

NB. MOVPCAD+ results in incremented PC in AD+ latch.
 CLRA = 11 111 000, 111 = SRC Null, 000 = dst A, F(8+Rcg)

Title			MOV Registers		
Size	Number	Revision			
A3					
Date:	10/02/2024	Sheet of			
File:	C:\Users\...MOV_SchDoe	Drawn By:			

ALU

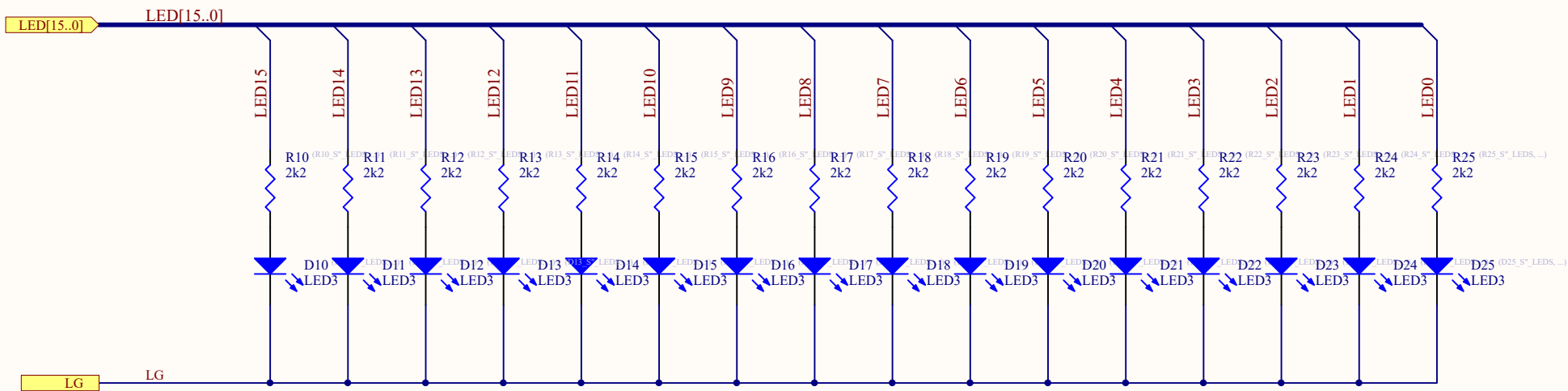


F/A: 0=SYS, 1=ALU

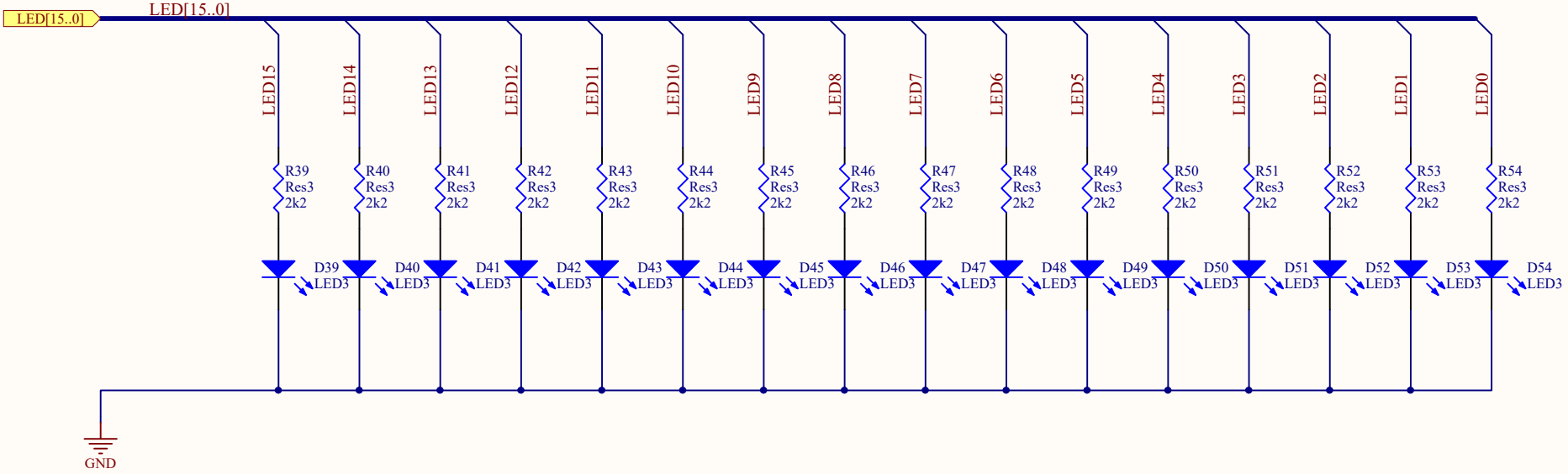
0	0	F/A	A	A	A	D	D
---	---	-----	---	---	---	---	---

AAAA = Fn

00	0000 = HALT	A=00
	0001 = RESET	B=01
	0010 = NOP	C=10
	0011 = WAIT0	
	1000 = ADDAB	
	1001 = A&B	
	1010 = NOTA	
	1011 = INCB	
	1100 = RORA	
	1101 = ROLB	



Title		
Size A4	Number	Revision
Date:	10/02/2024	Sheet of
File:	C:\Users\...\SEQ16LEDs.SchDoc	Drawn By:



Title		
Size A4	Number	Revision
Date:	10/02/2024	Sheet of
File:	C:\Users\...\CPU16LEDs.SchDoc	Drawn By:

1

2

3

4

A

A

B

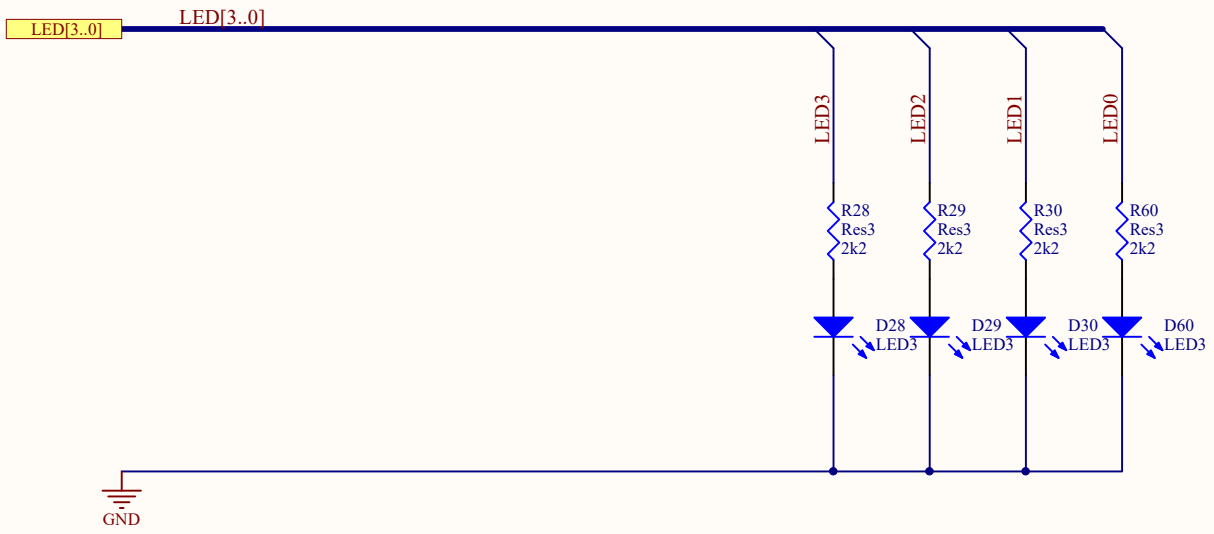
B

C

C

D

D



Title		
Size A4	Number	Revision
Date:	10/02/2024	Sheet of
File:	C:\Users\...\CPU4LEDS.SchDoc	Drawn By:

1

2

3

4

1

2

3

4

A

A

B

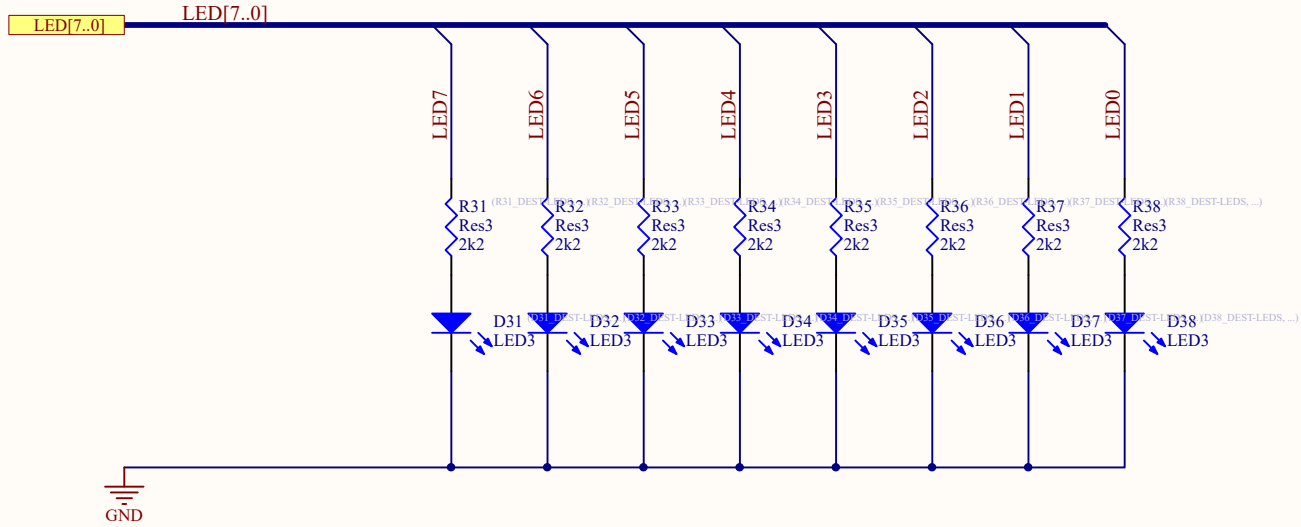
B

C

C

D

D



Title		
Size A4	Number	Revision
Date:	10/02/2024	Sheet of
File:	C:\Users\...\CPU8LEDS.SchDoc	Drawn By:

1

2

3

4