

Title		
Size	Number	Revision
A3		
Date:	10/02/2024	Sheet of
File:	C:\Users\PC12\Top_SchDoe	Drawn By:

1

2

3

4

A

A

B

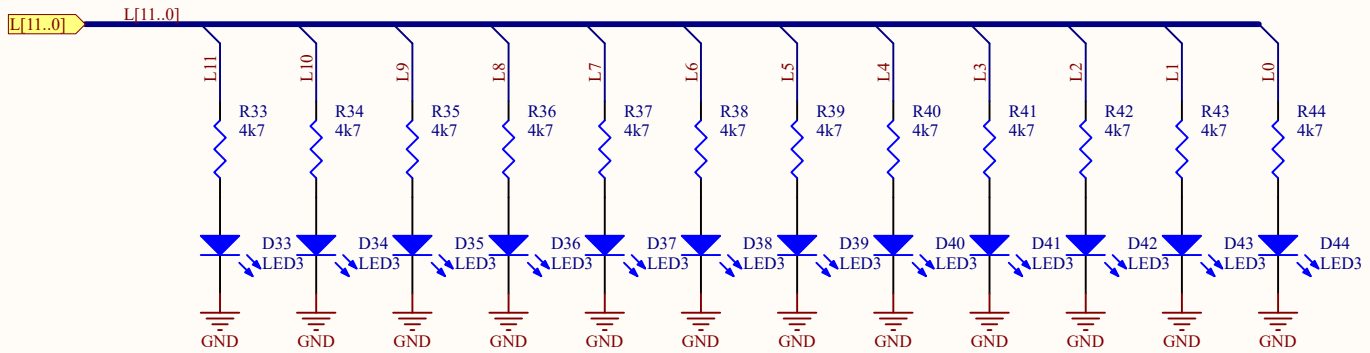
B

C

C

D

D



Title		
Size A4	Number	Revision
Date:	10/02/2024	Sheet of
File:	C:\Users\...\12LEDS.SchDoc	Drawn By:

1

2

3

4

1

2

3

4

A

A

B

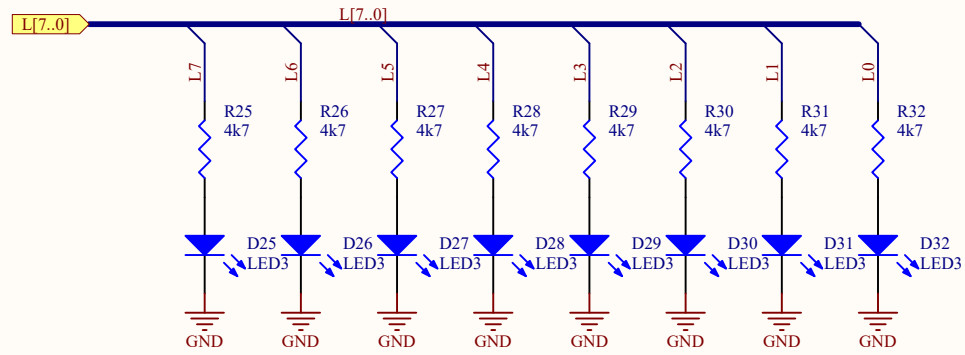
B

C

C

D

D



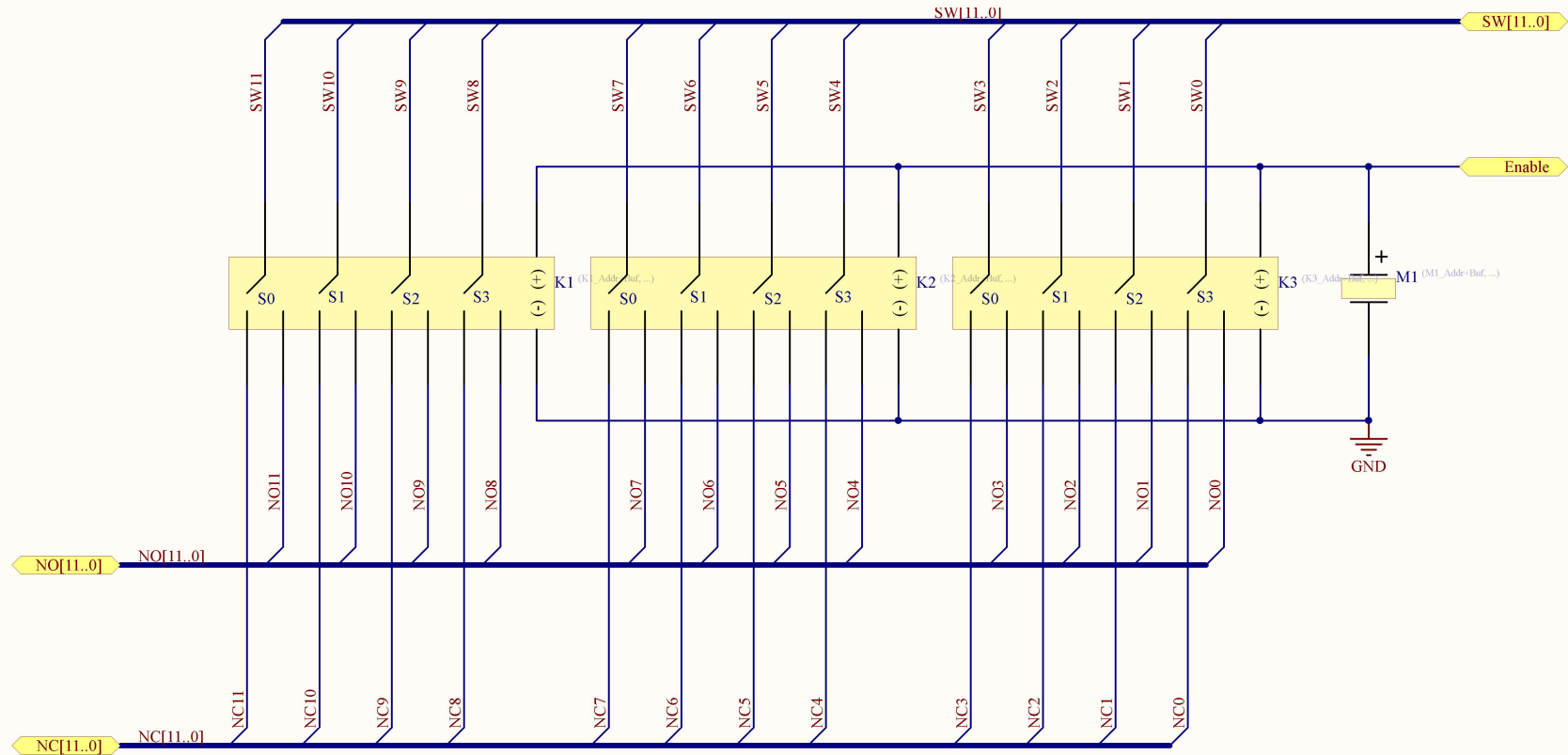
Title		
Size A4	Number	Revision
Date:	10/02/2024	Sheet of
File:	C:\Users\...\8LEDs.SchDoc	Drawn By:

1

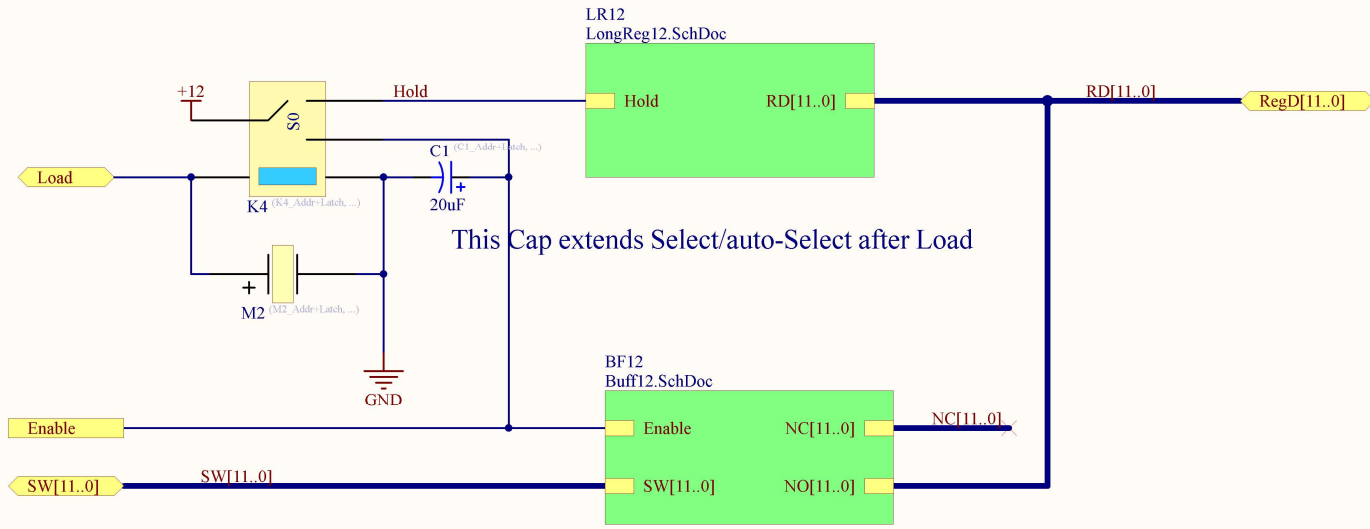
2

3

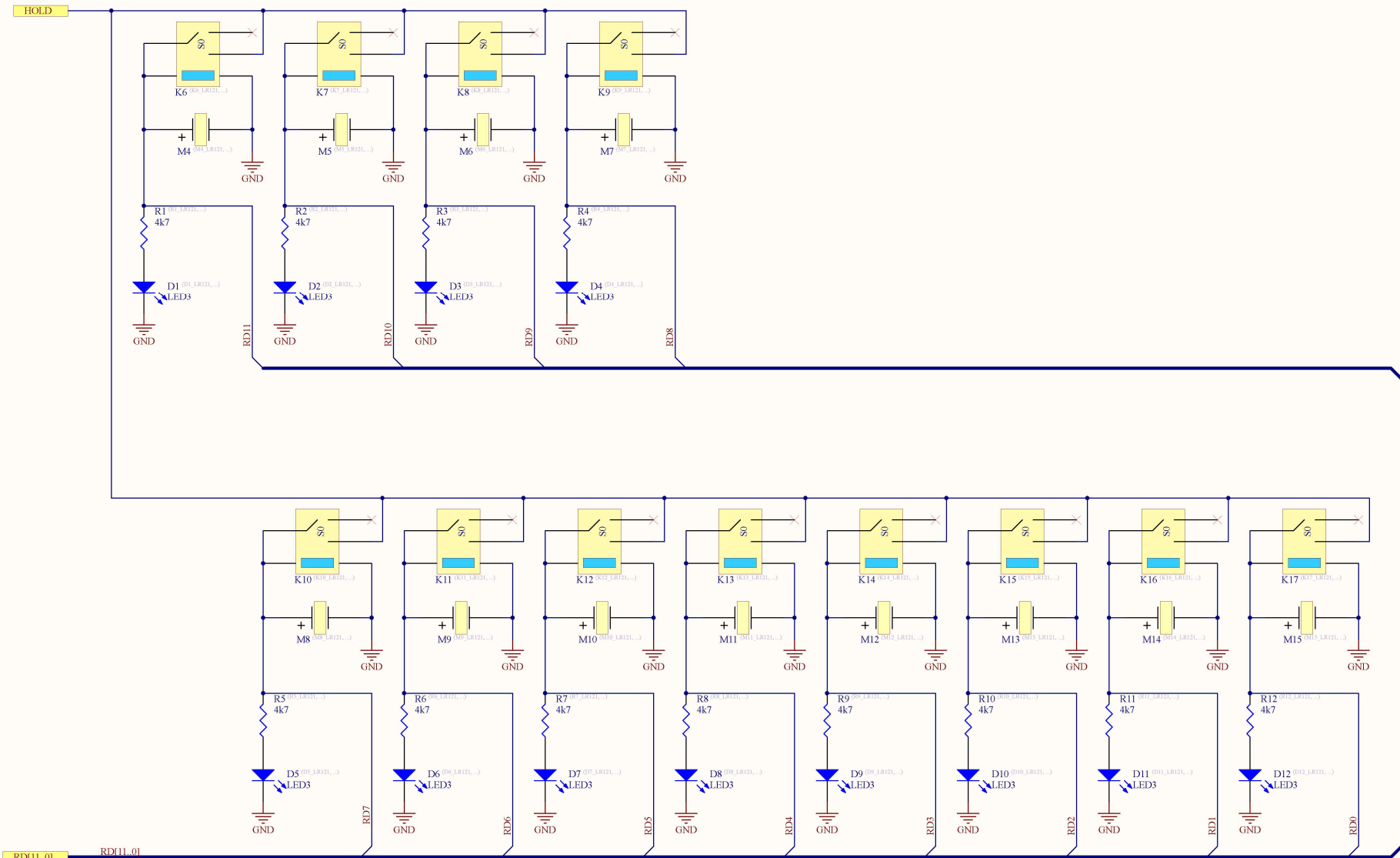
4



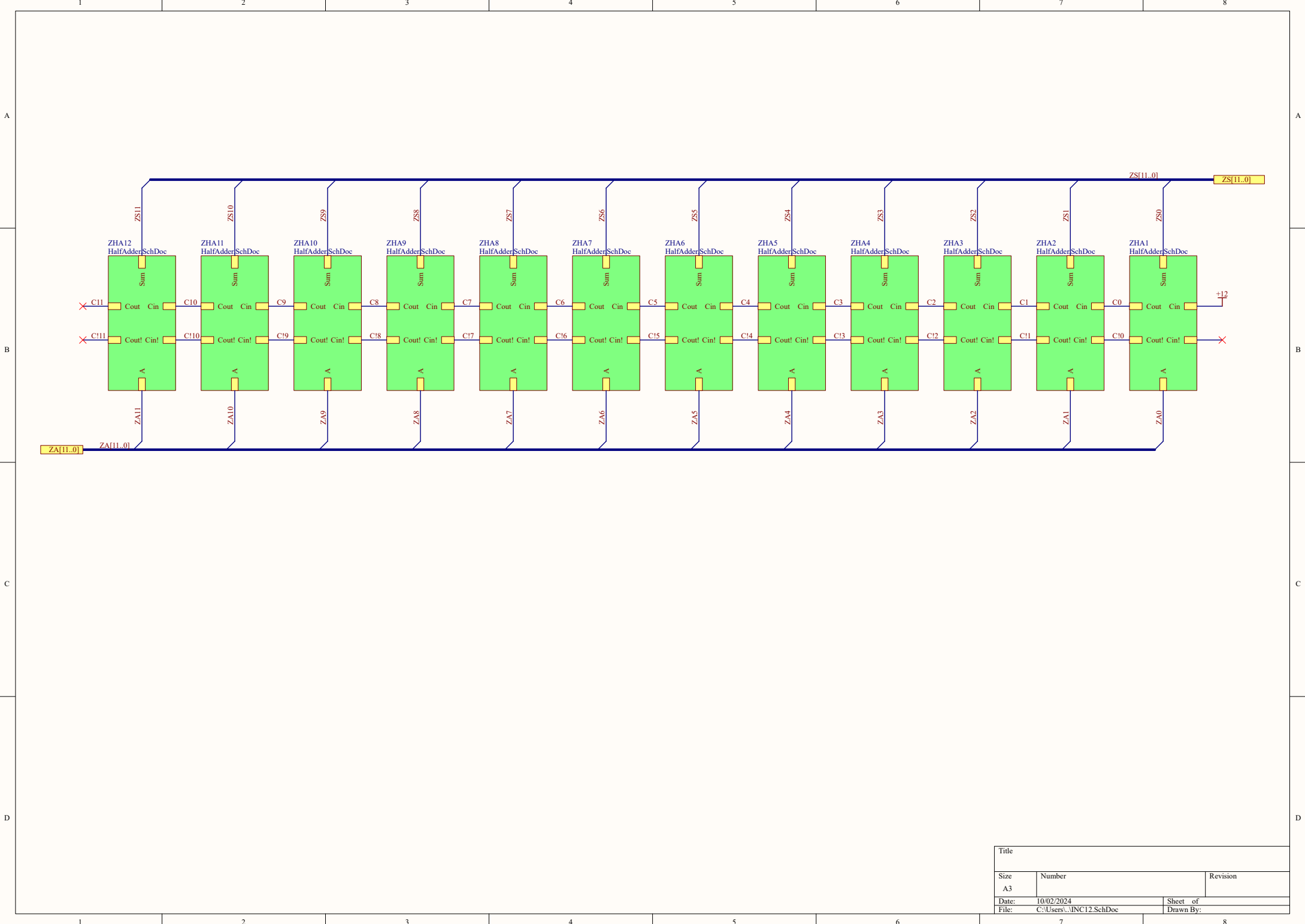
Title		
Size	Number	Revision
A4		
Date:	10/02/2024	Sheet of
File:	C:\Users\...\Buff12.SchDoc	Drawn By:



Title		
Size A4	Number	Revision
Date:	10/02/2024	Sheet of
File:	C:\Users\...\BufLatch12.SchDoc	Drawn By:



Title		
Size	Number	Revision
A3		
Date:	10/02/2024	Sheet of
File:	C:\Users\A.Long\Reg12_SchDoc	Drawn By:



Title		
Size A3	Number	Revision
Date: 10/02/2024	Sheet of	8
File: C:\Users\... \MNC12.SchDoc	Drawn By:	

1

2

3

4

A

A

B

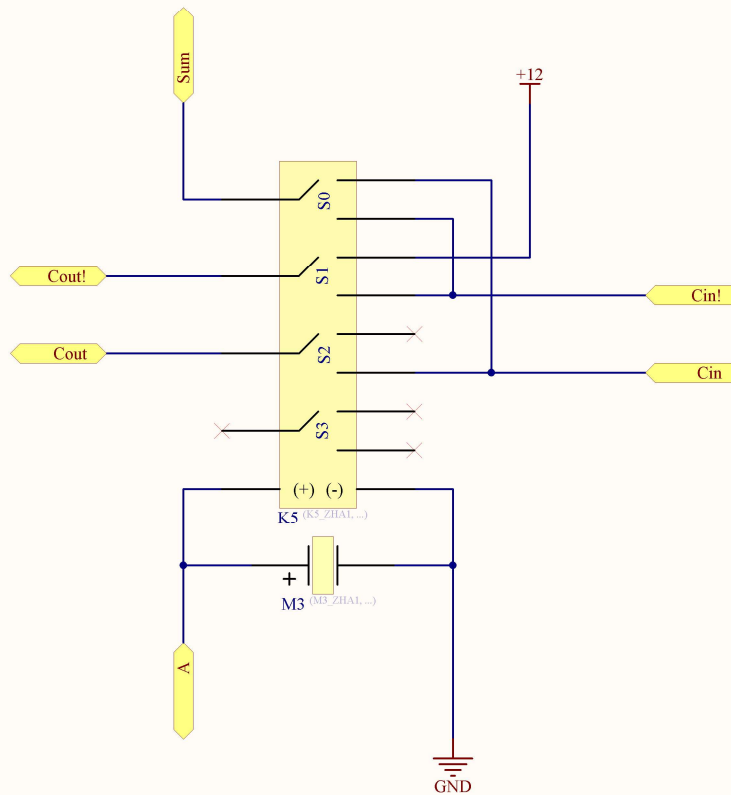
B

C

C

D

D



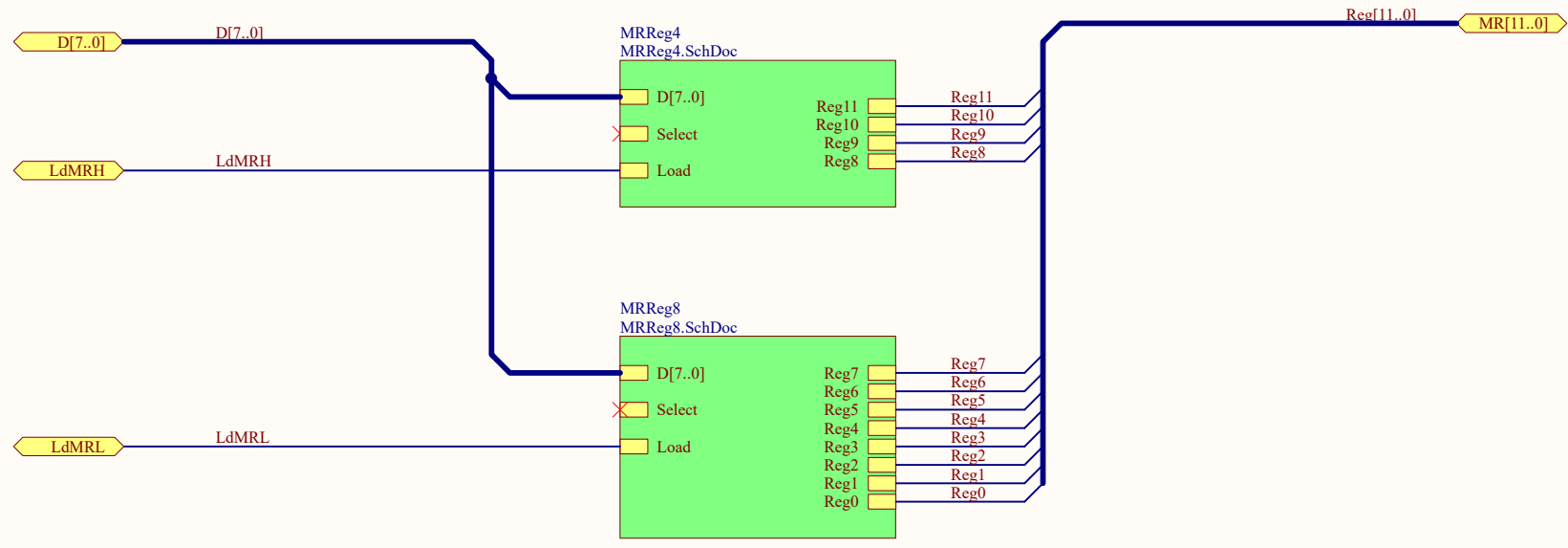
Title			Half Adder		
Size	Number		Revision		
A4					
Date:	10/02/2024		Sheet of		
File:	C:\Users\...\HalfAdder.SchDoc		Drawn By:		

1

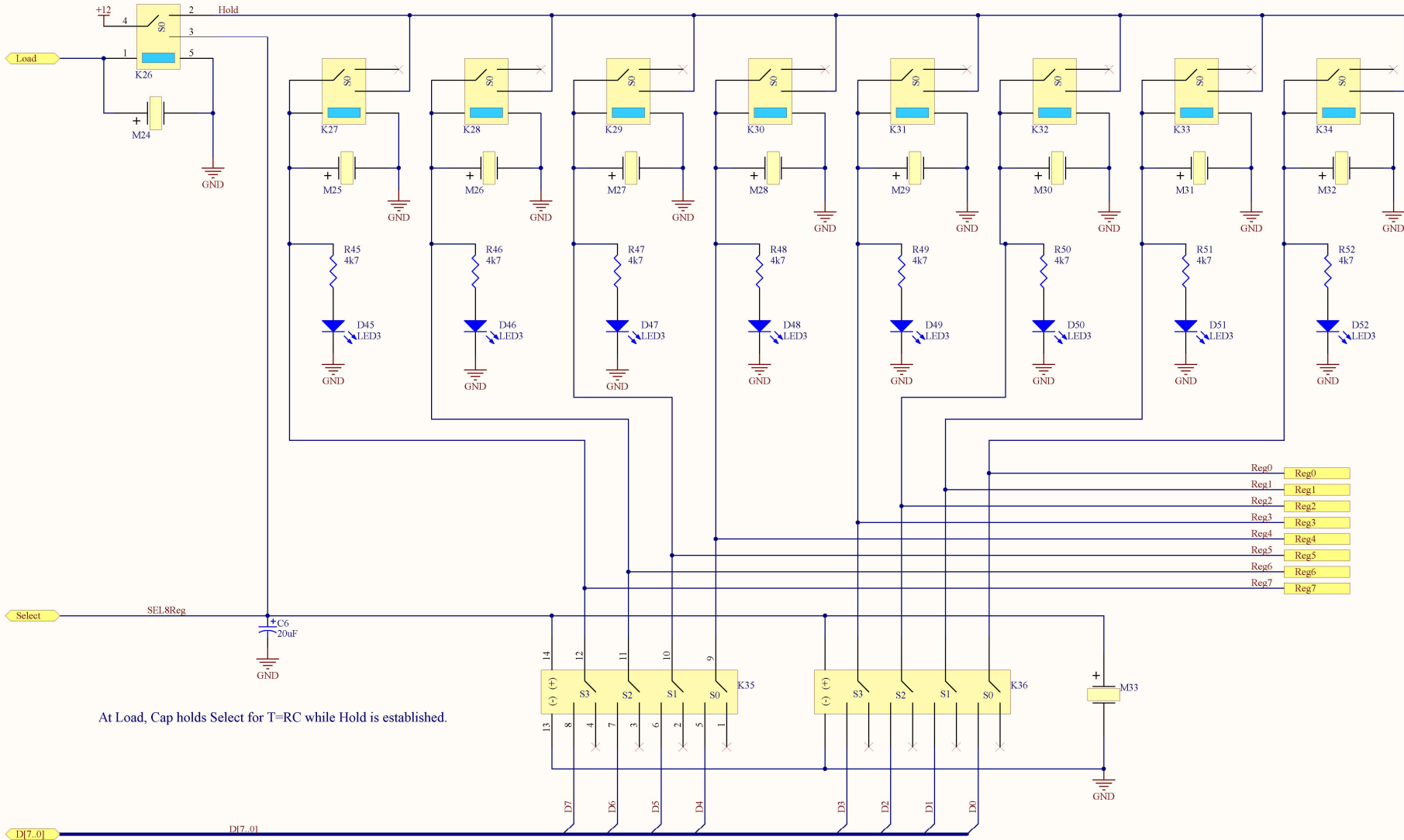
2

3

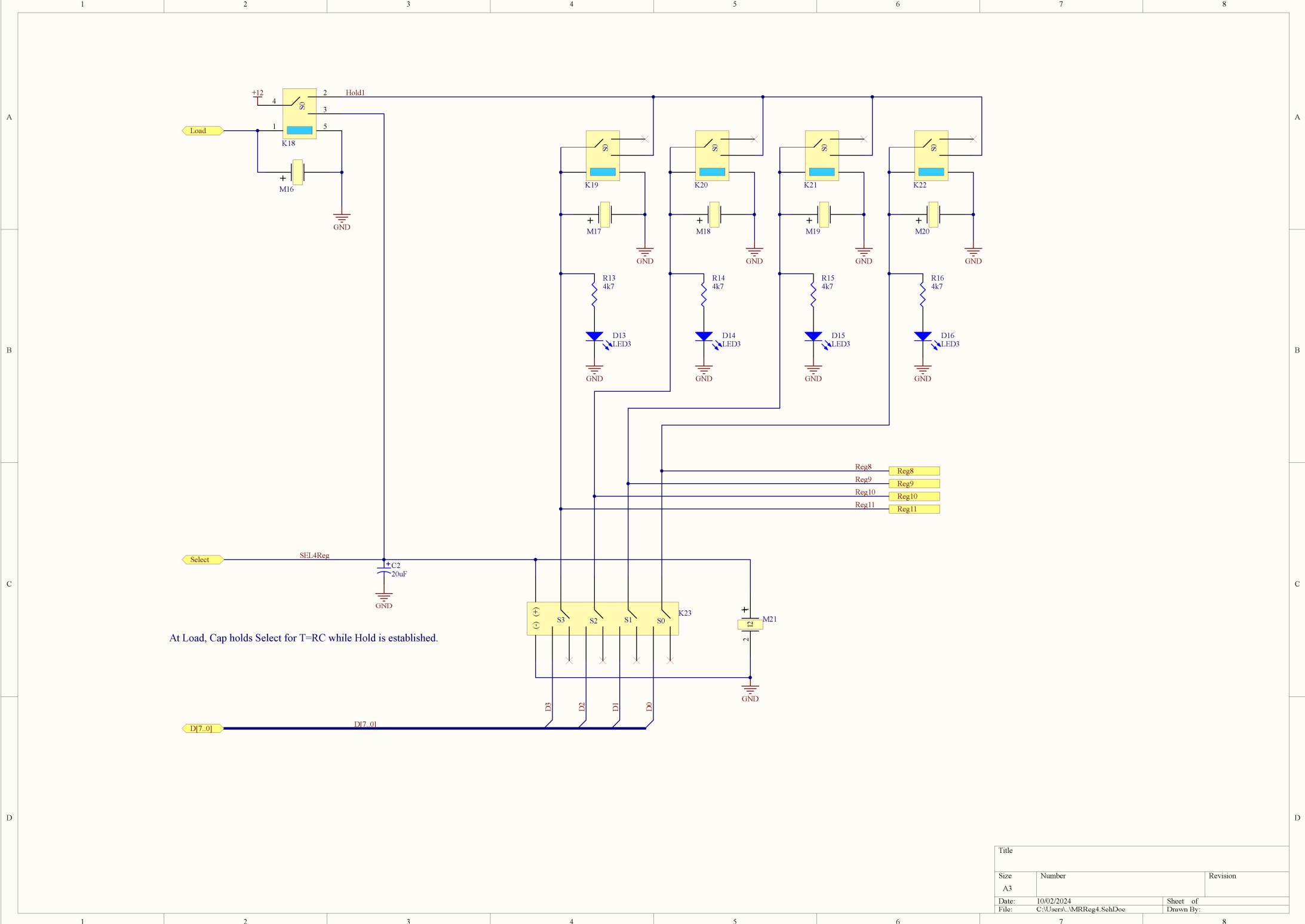
4



Title		
Size A4	Number	Revision
Date:	10/02/2024	Sheet of
File:	C:\Users\... \MAR12.SchDoc	Drawn By:



Title		
Generic 8 bit Register		
Size	Number	Revision
A3		
Date:	10/02/2024	Sheet of
File:	C:\Users\AMRR\Reg8.SchDoc	Drawn By:



Title		
Size	Number	Revision
A3		
Date:	10/02/2024	Sheet of
File:	C:\Users\AMRR\Reg4.SchDoc	Drawn By: