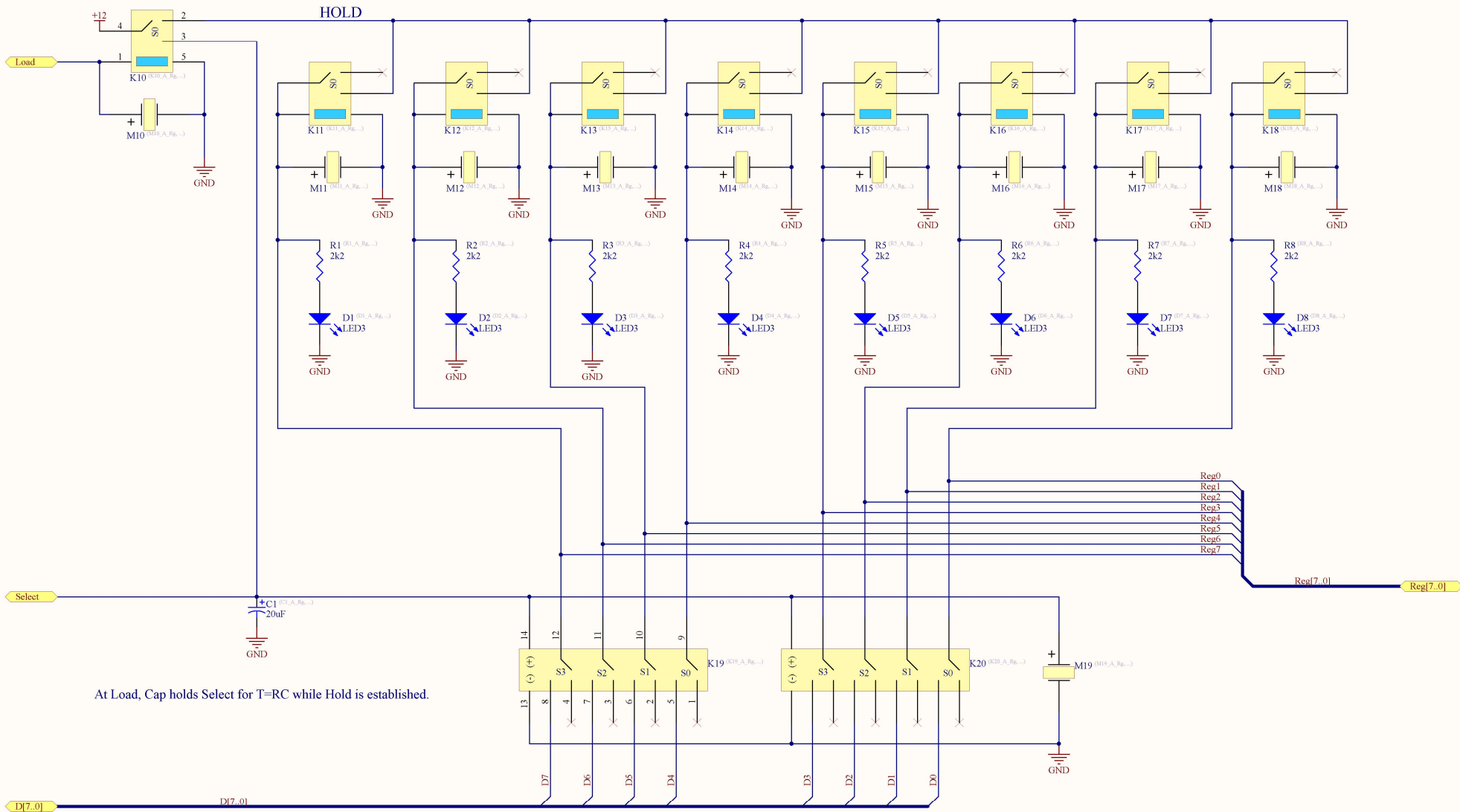
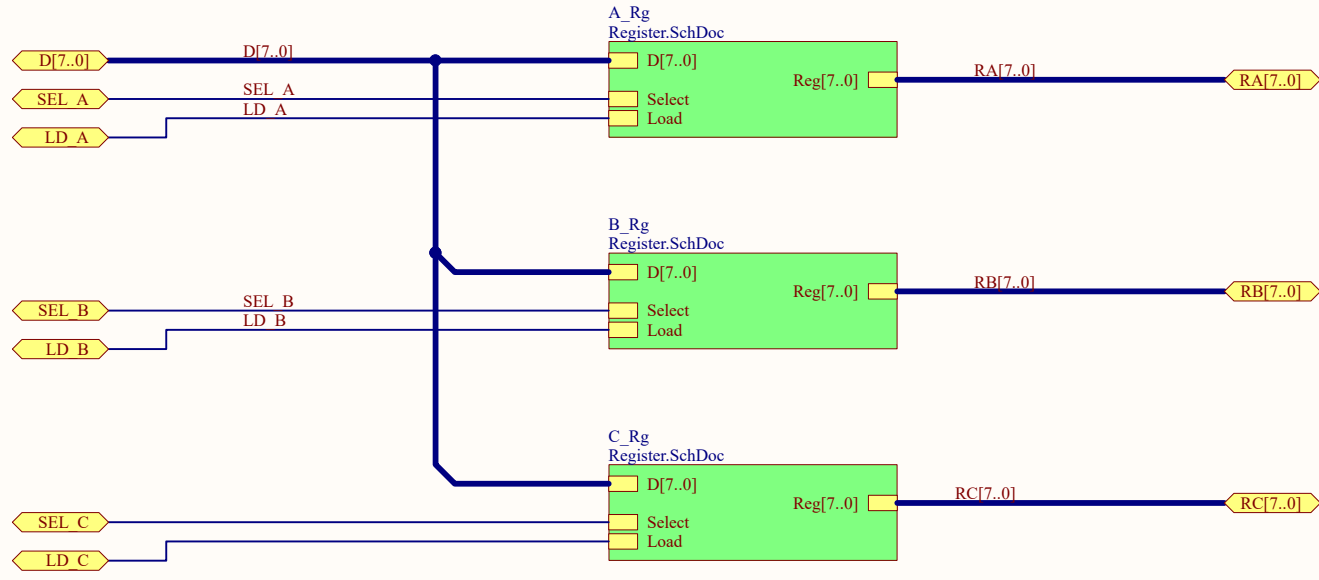


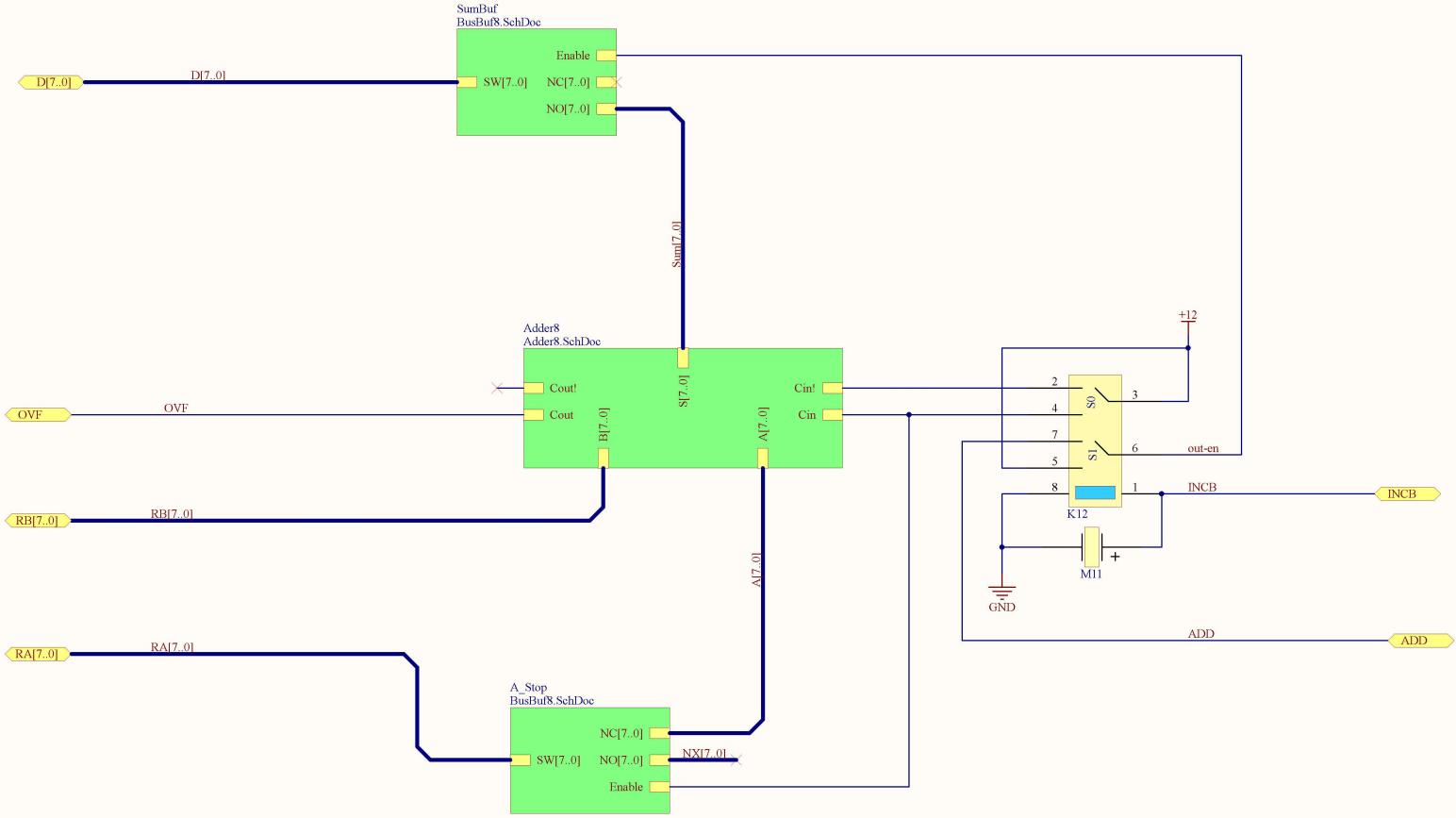
Title			General Registers & ALU		
Size	Number		Revision		
A4					
Date:	10/02/2024		Sheet of		
File:	C:\Users\...\Regs_ALU.SchDoc		Drawn By:		



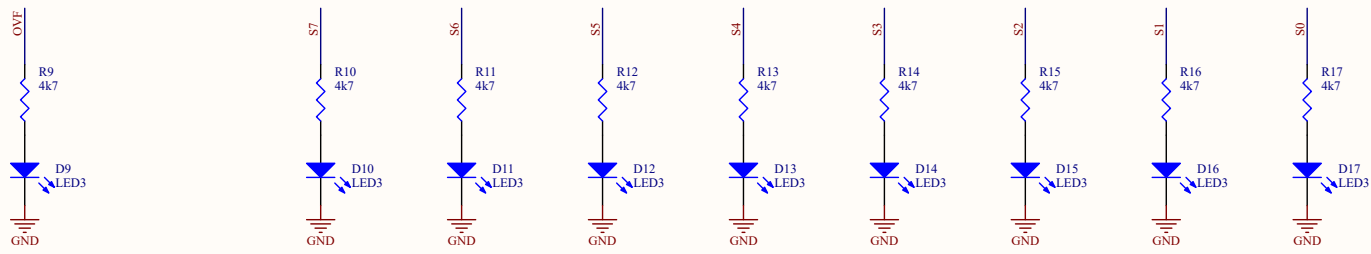
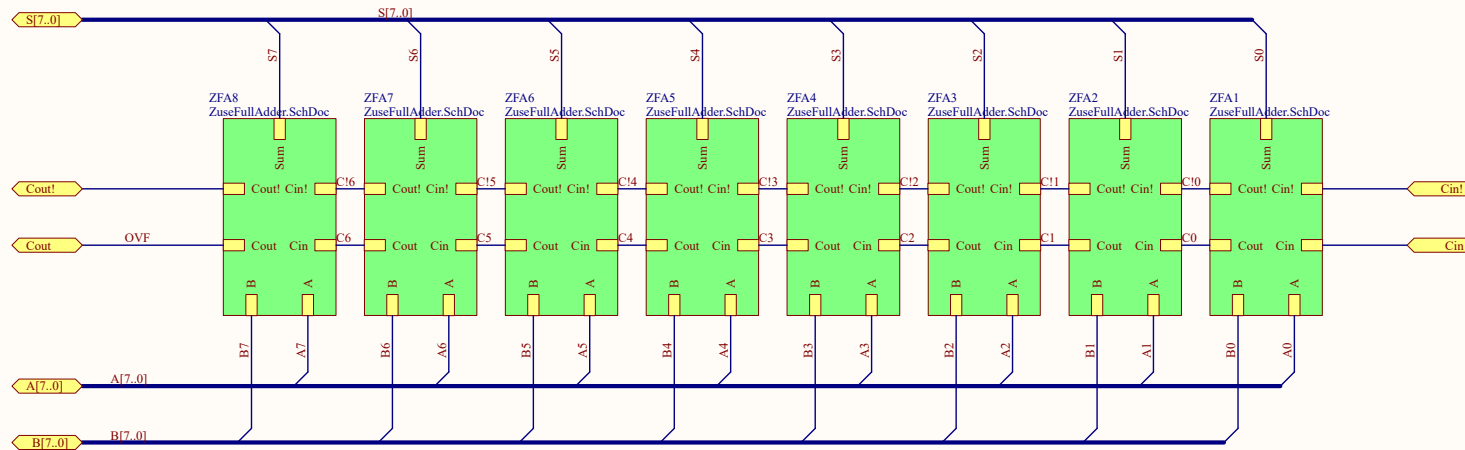
Title		
Generic 8 bit Register		
Size	Number	Revision
A3		
Date:	10/02/2024	Sheet of
File:	C:\Users\A\Register.SchDoc	Drawn By:



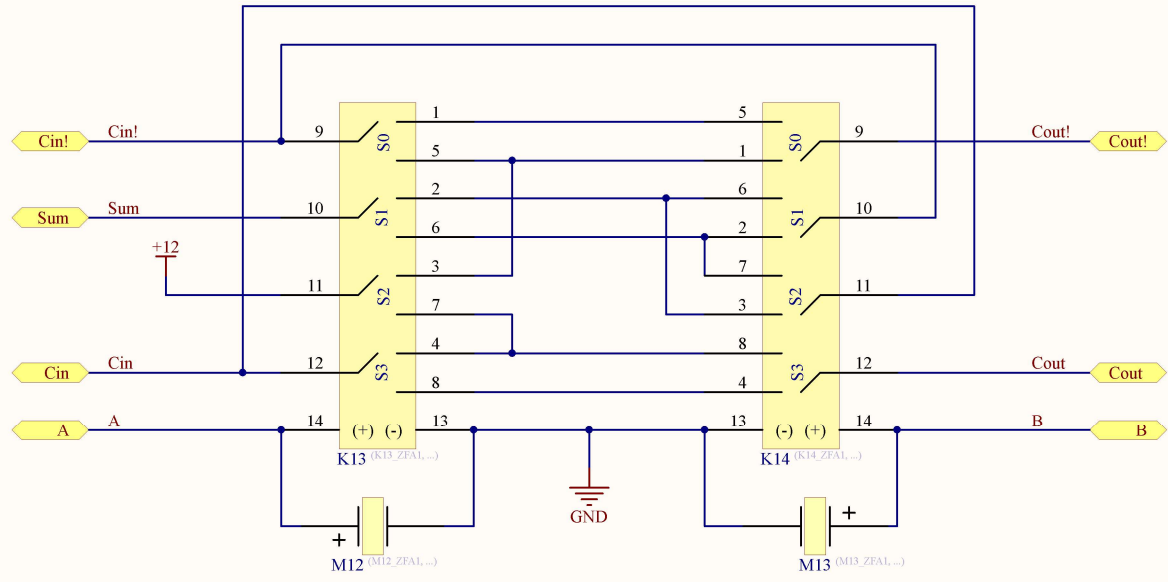
Title			General Registers A,B,C		
Size	Number		Revision		
A4					
Date:	10/02/2024		Sheet of		
File:	C:\Users\...\RegistersABC.SchDoc		Drawn By:		



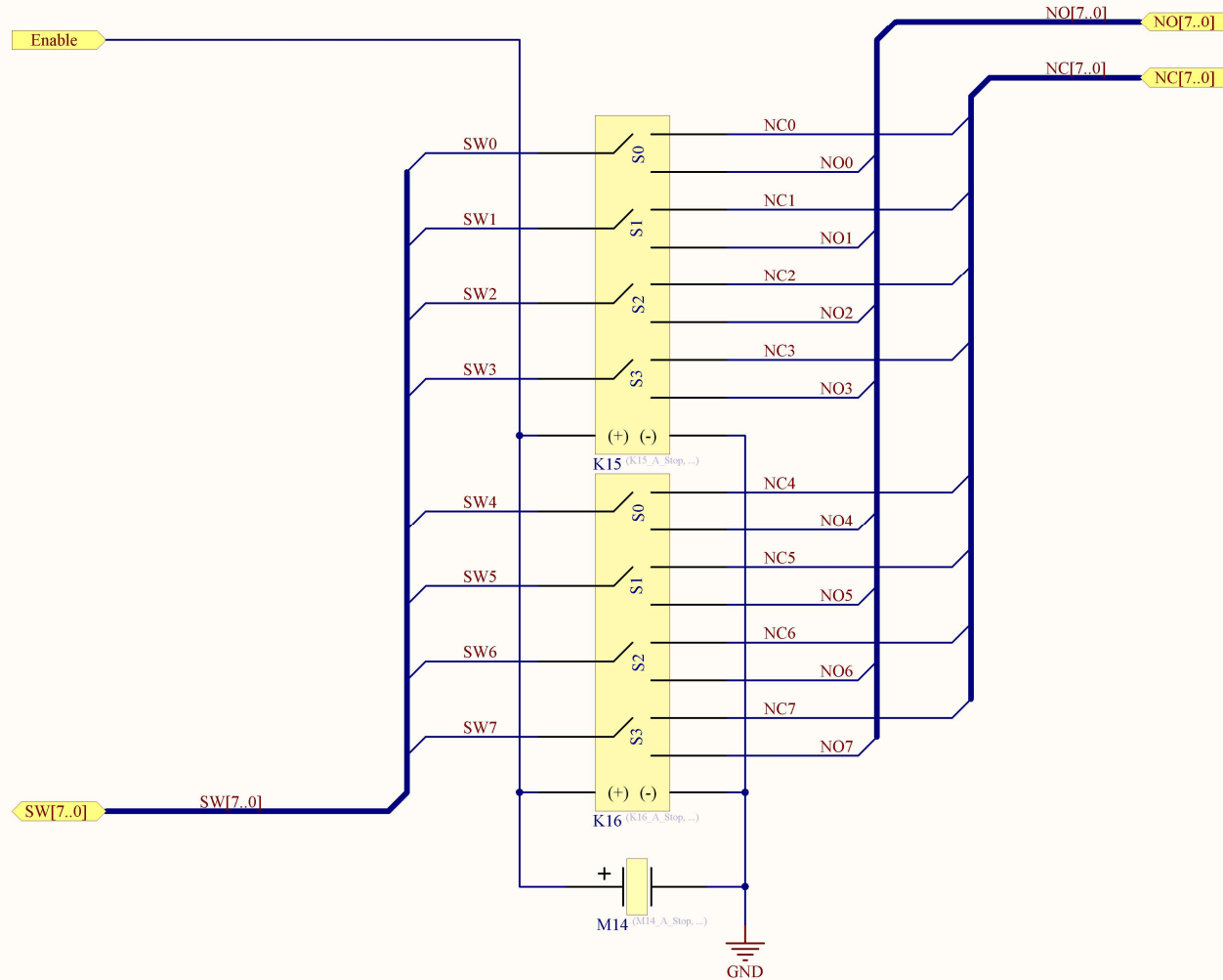
Title			ALU Adder/Incrementer		
Size	Number		Revision		
A3					
Date:	10/02/2024		Sheet of		
File:	C:\Users\... \AdderIncrementer.SchDoe		Drawn By:		



Title		
Size A3	Number	Revision
Date: 10/02/2024	Sheet of	
File: C:\Users\... \Adder8.SchDoc	Drawn By:	



Title		
Size	Number	Revision
A4		
Date:	10/02/2024	Sheet of
File:	C:\Users\...\ZuseFullAdder.SchDoc	Drawn By:



Title			8-Bit Bus Buffer		
Size	Number		Revision		
A4					
Date:	10/02/2024		Sheet of		
File:	C:\Users\...\BusBuf8.SchDoc		Drawn By:		

1

2

3

4

A

A

B

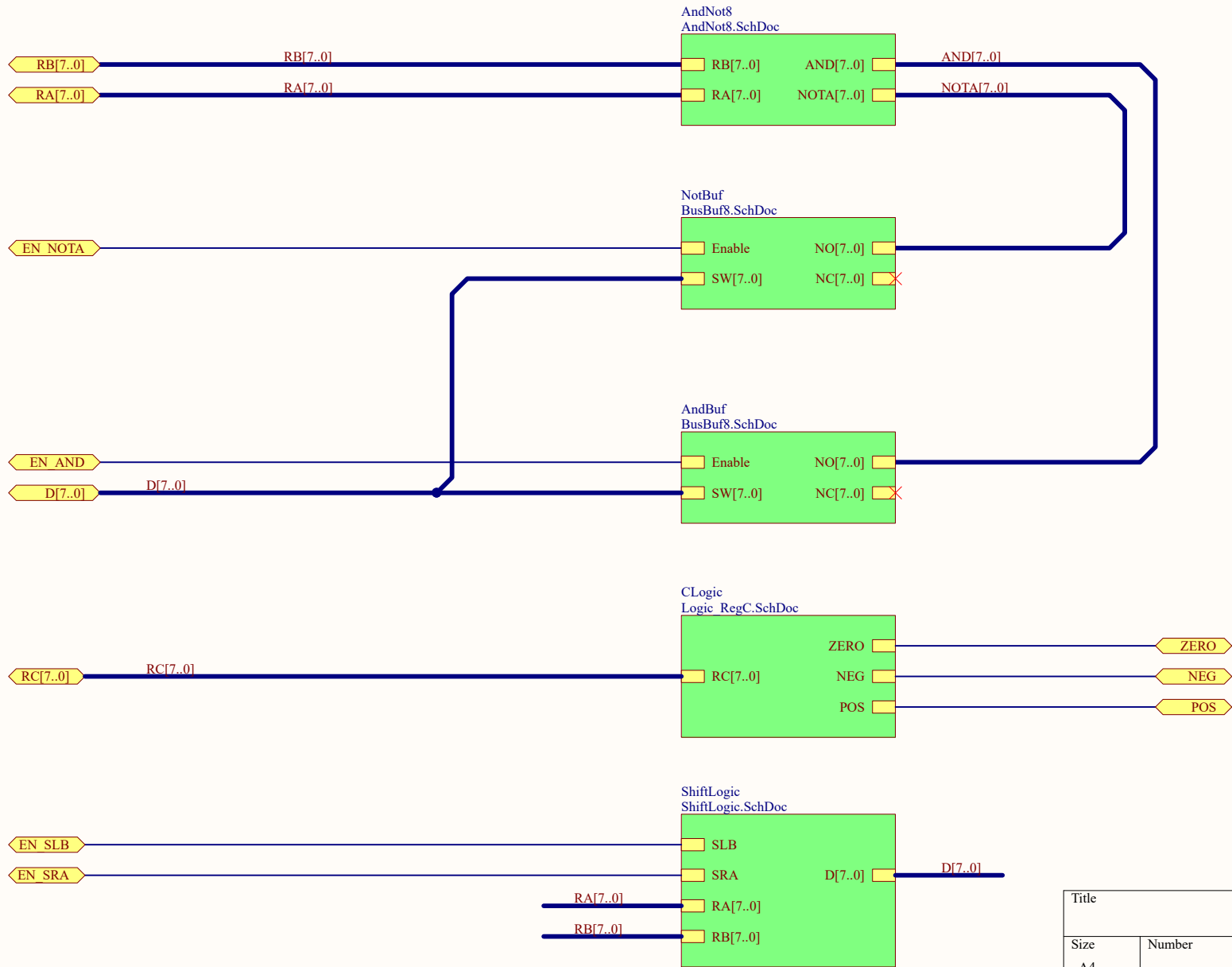
B

C

C

D

D



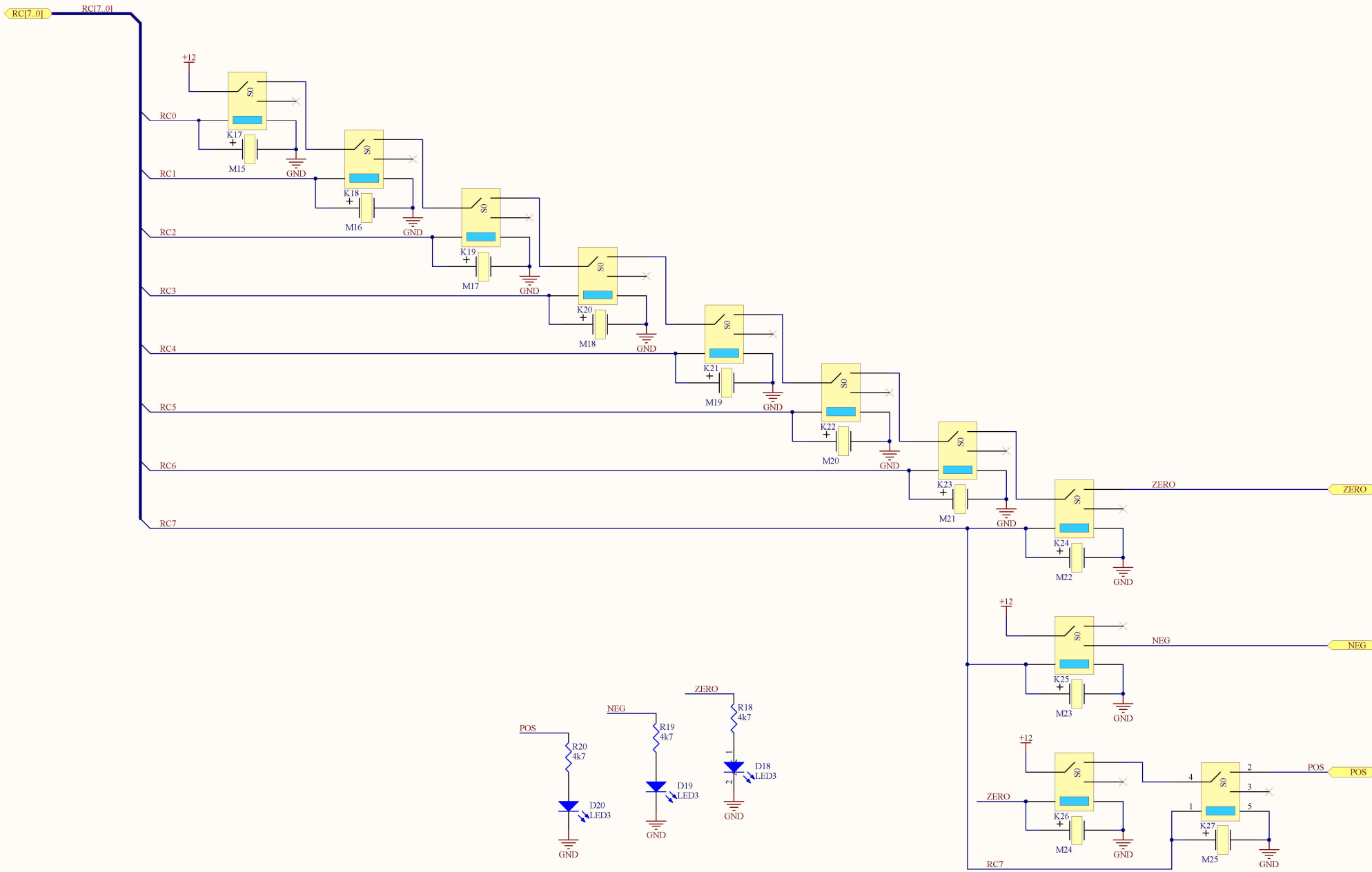
Title			ALU Logic		
Size	Number		Revision		
A4					
Date:	10/02/2024		Sheet of		
File:	C:\Users\...\ALULogic.SchDoc		Drawn By:		

1

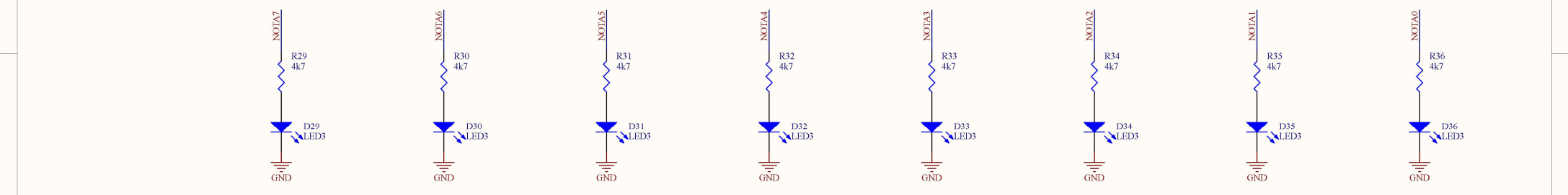
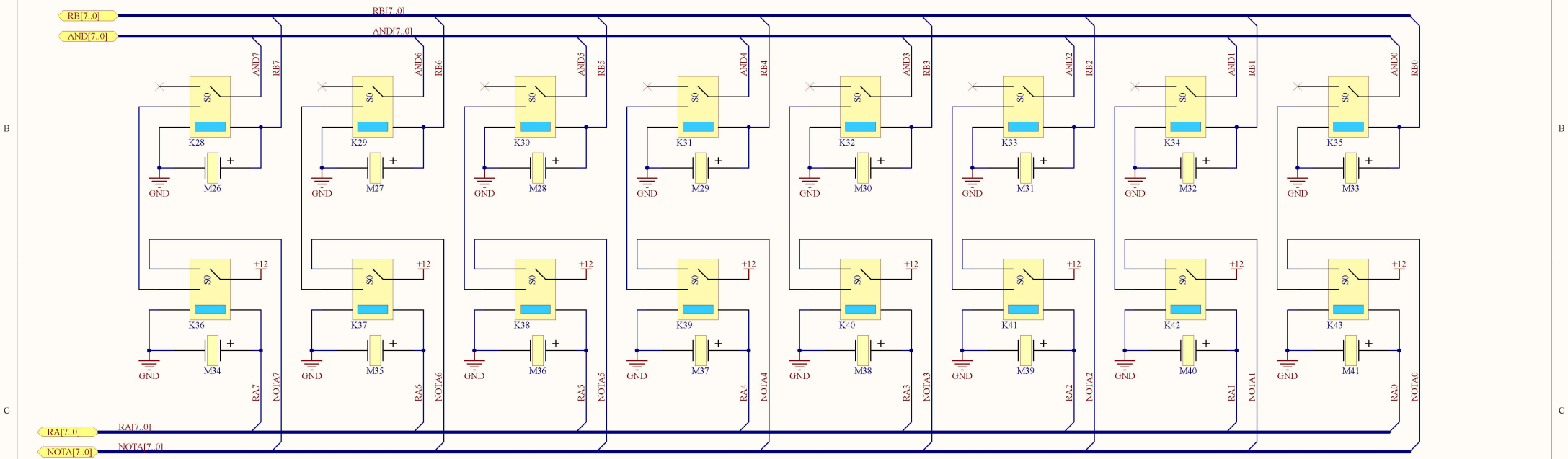
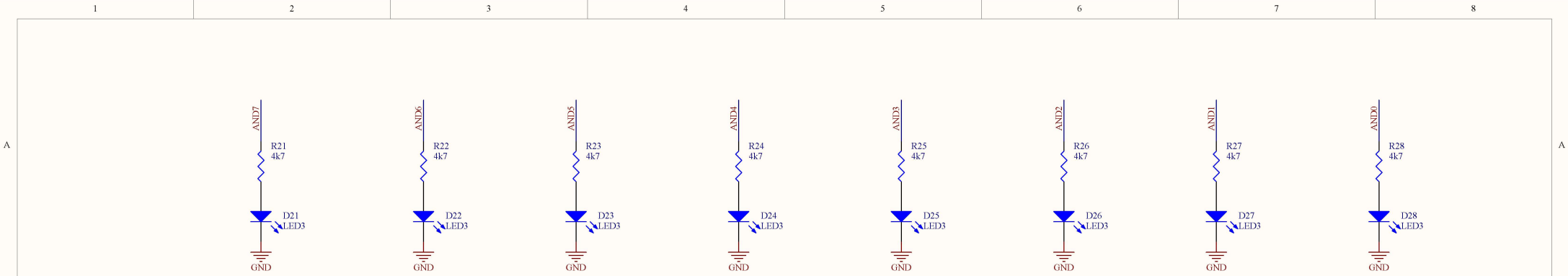
2

3

4



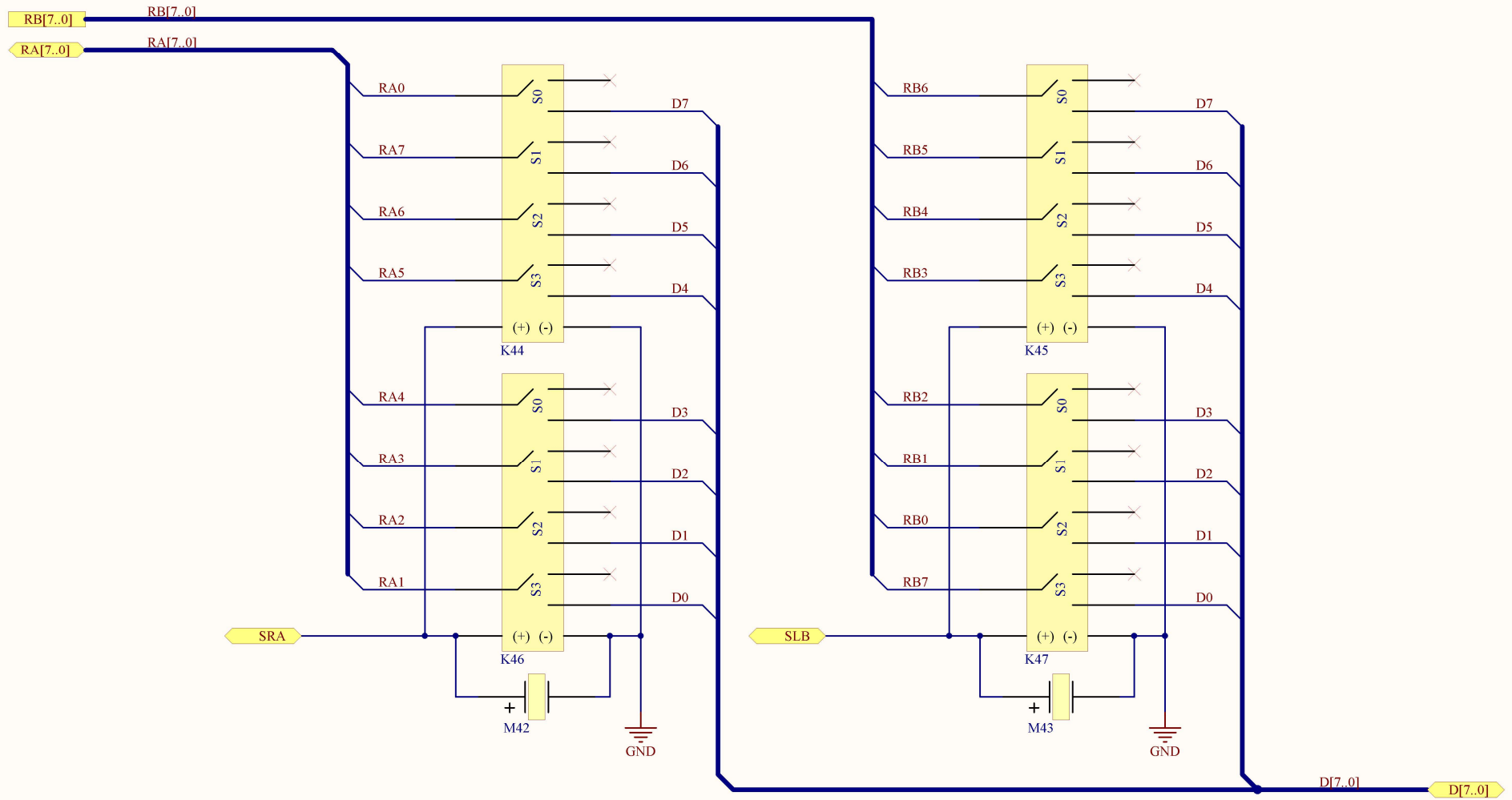
Title		
Size	Number	Revision
A3		
Date:	10/02/2024	Sheet of
File:	C:\Users\A.M.Logic_RegC.SehDoe	Drawn By:



Title		
Size	Number	Revision
A3		
Date:	10/02/2024	Sheet of
File:	C:\Users\...\AndNot8.SchlDoe	Drawn By:

Shift-rotate Right

Shift-rotate Left



Title			Shift Rotate Logic		
Size	Number		Revision		
A4					
Date:	10/02/2024		Sheet of		
File:	C:\Users\...\ShiftLogic.SchDoc		Drawn By:		