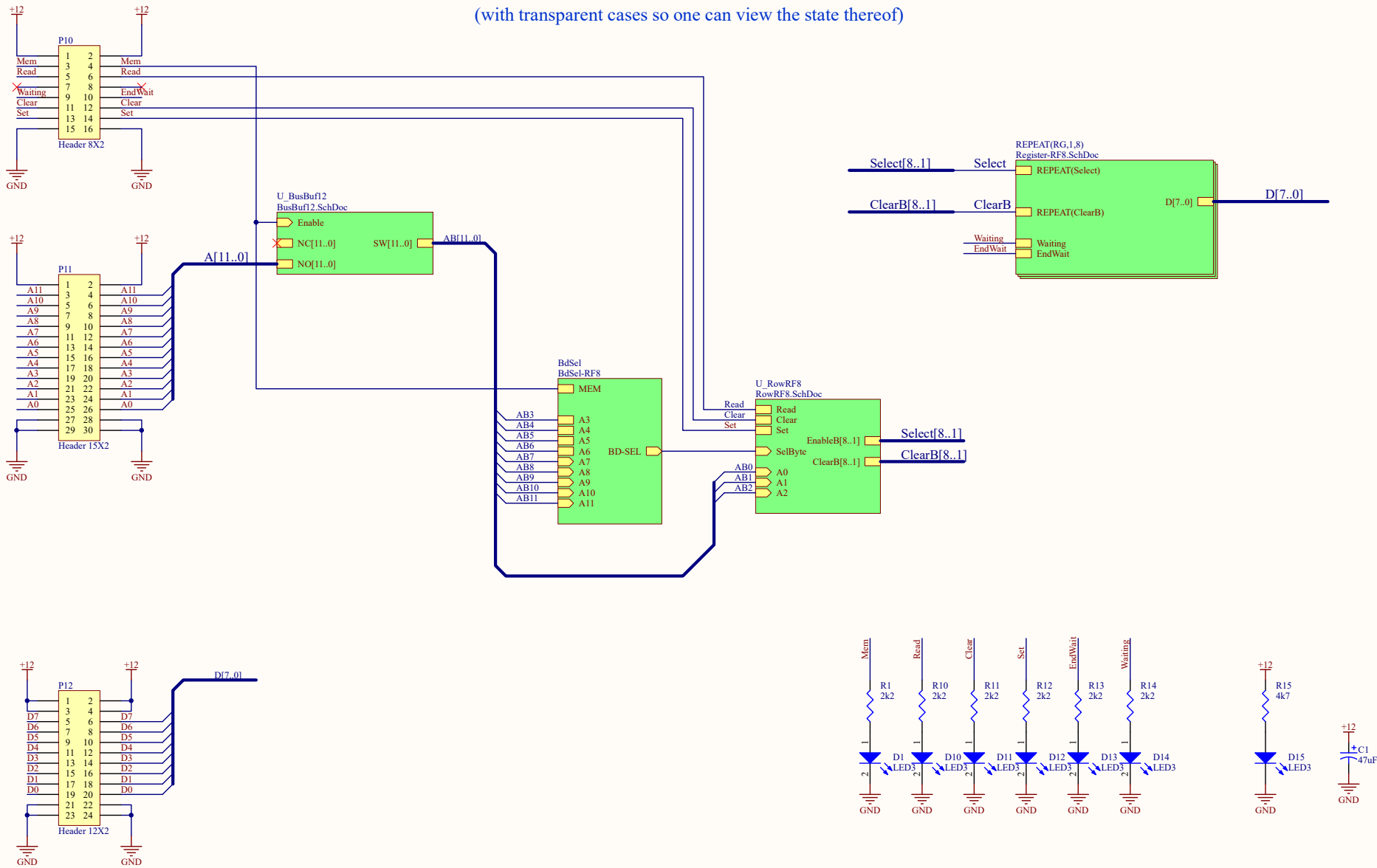


DAVIAC1, 8 Bytes RAM and IO ports

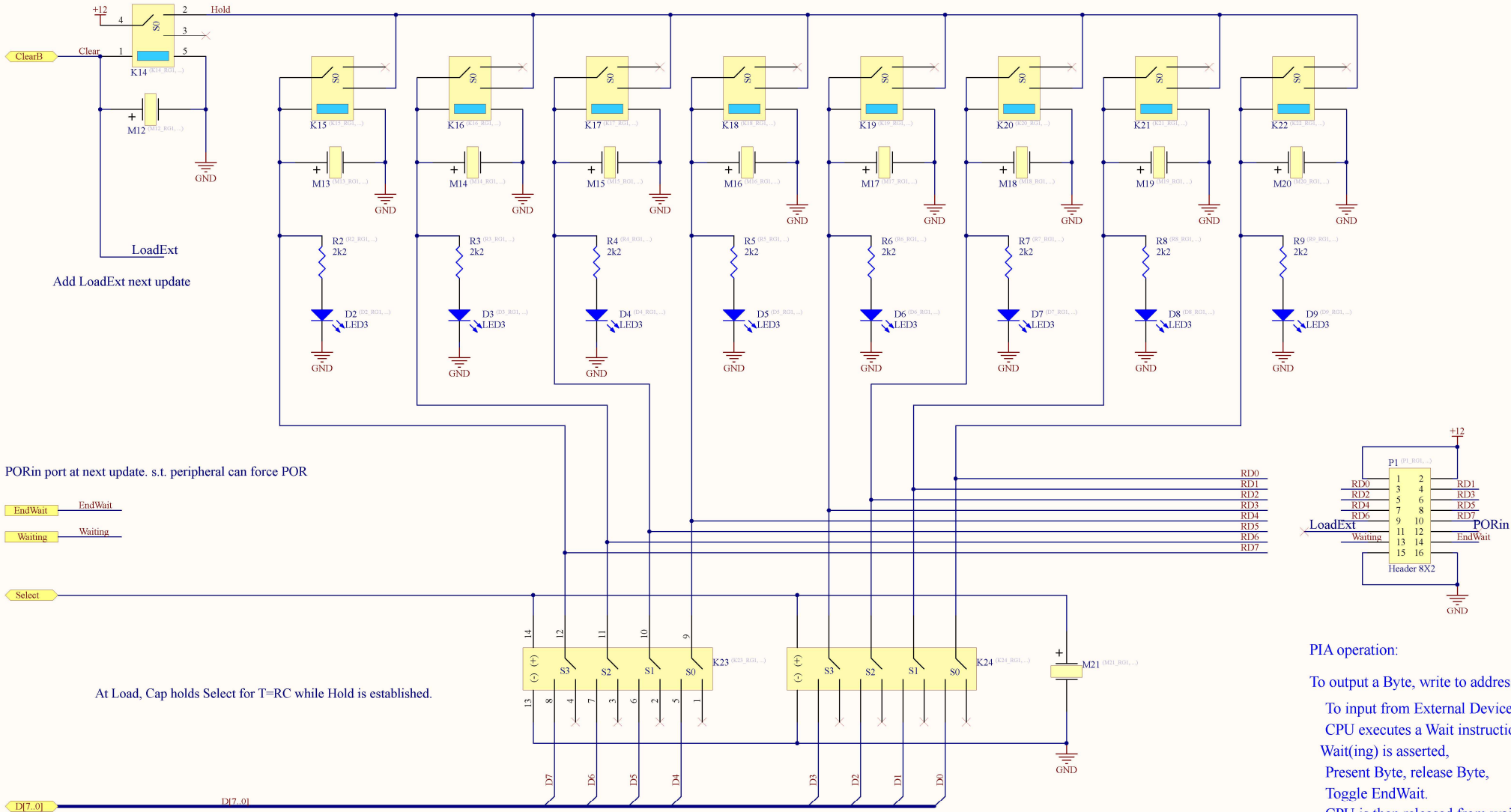
Implemented in design-consistent 10A contact relays

(with transparent cases so one can view the state thereof)



Title		
RF8-Top		
Size	Number	Revision
A3		
Date:	18/02/2024	Sheet of
File:	C:\Users\...RF8-Top.SchDoc	Drawn By:

DAVIAC1, RAM / PIA Register



PORin port at next update. s.t. peripheral can force POR

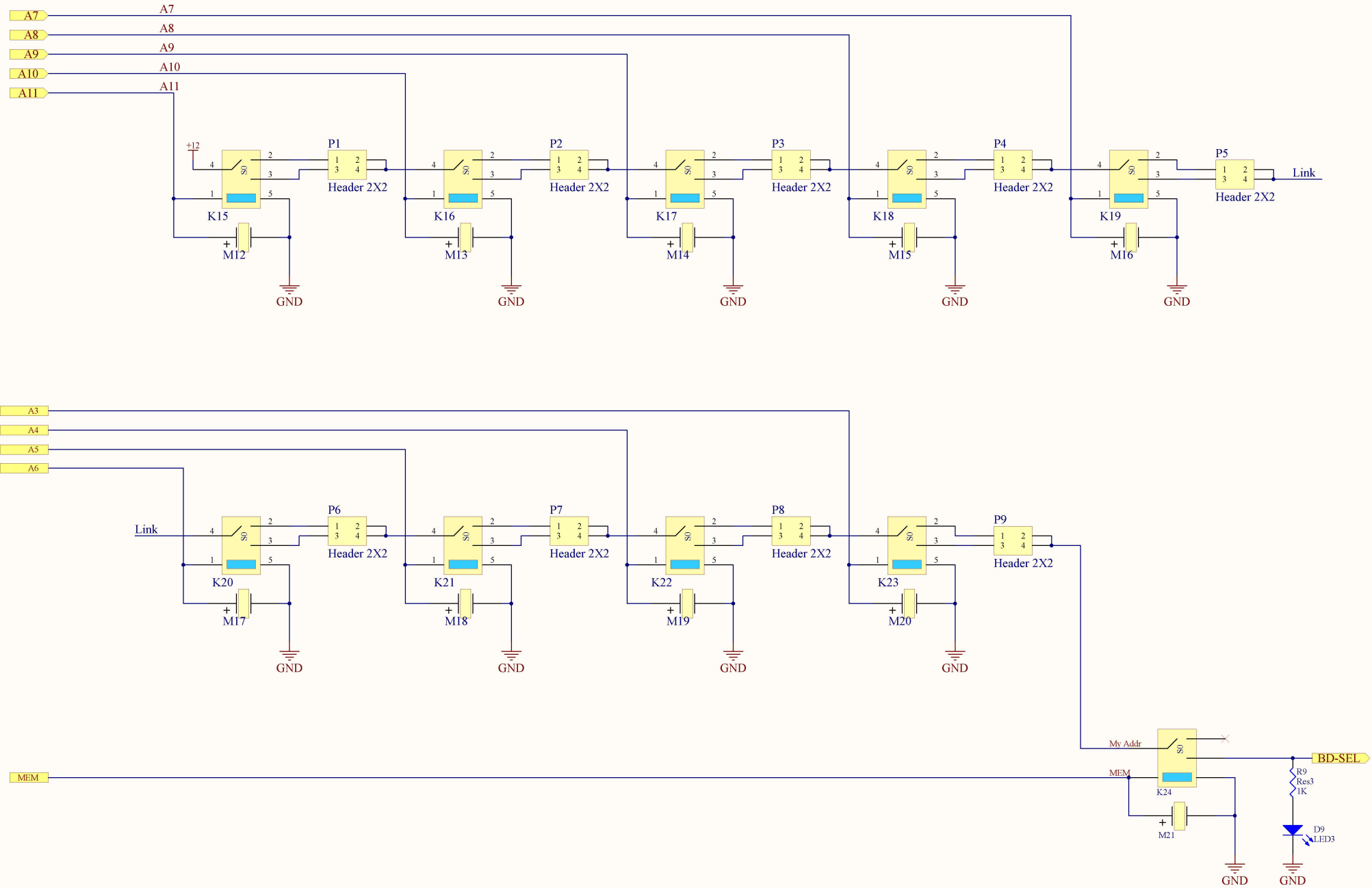


At Load, Cap holds Select for $T=RC$ while Hold is established.

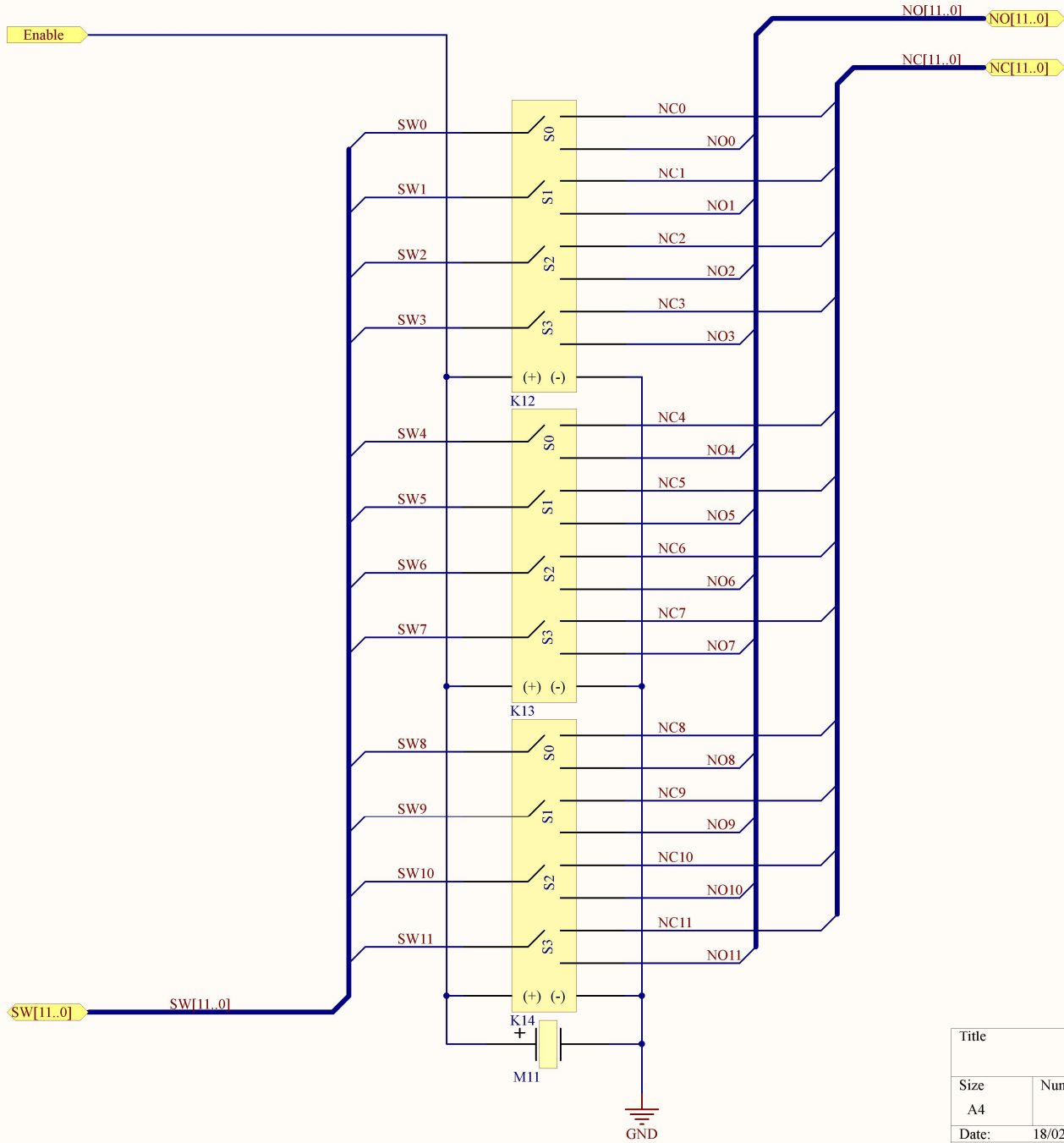
PIA operation:
 To output a Byte, write to address.
 To input from External Device:
 CPU executes a Wait instruction,
 Wait(ing) is asserted,
 Present Byte, release Byte,
 Toggle EndWait.
 CPU is then released from wait,
 And Reads expected Byte.

Title			Register-RF8		
Size	Number	Revision			
A3					
Date:	18/02/2024	Sheet of			
File:	C:\Users\A\Register-RF8.SchDoc	Drawn By:			

DAVIAC1, Board Select

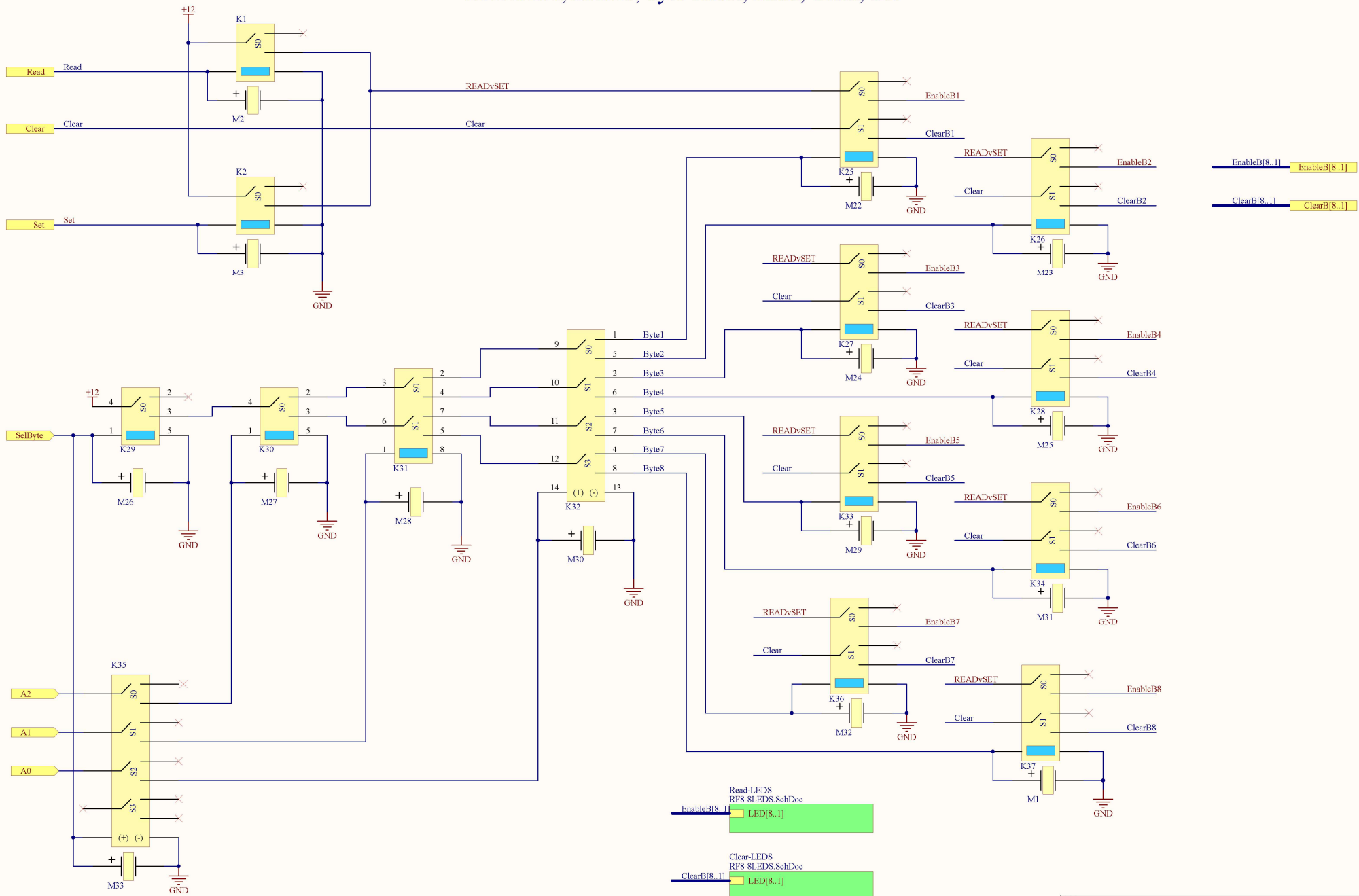


Title		
BdSel-RF8		
Size	Number	Revision
A3		
Date:	18/02/2024	Sheet of
File:	C:\Users\ABdSel-RF8\SchDoc	Drawn By:

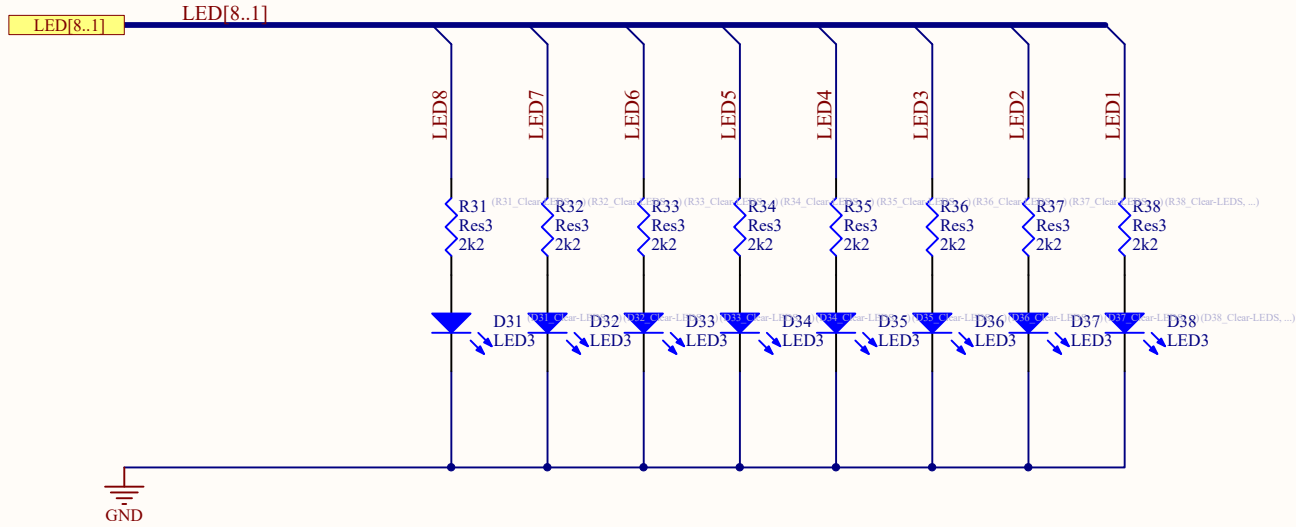


Title		
Size A4	Number	Revision
Date: 18/02/2024	Sheet of	
File: C:\Users\...\BusBuf12.SchDoc	Drawn By:	

DAVIAC1, RAM8, byte select, Read, Clear, Set



Title		
ROWRF8		
Size	Number	Revision
A3		
Date:	18/02/2024	Sheet of
File:	C:\Users\A\RowRF8.SchDoc	Drawn By:



Title		
Size A4	Number	Revision
Date:	18/02/2024	Sheet of
File:	C:\Users\...\RF8-8LEDS.SchDoc	Drawn By: