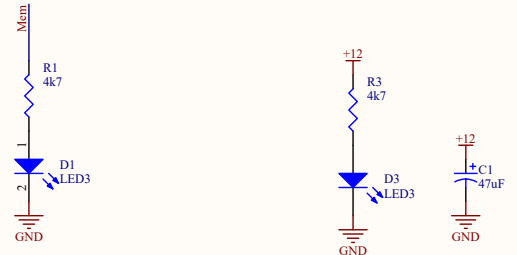
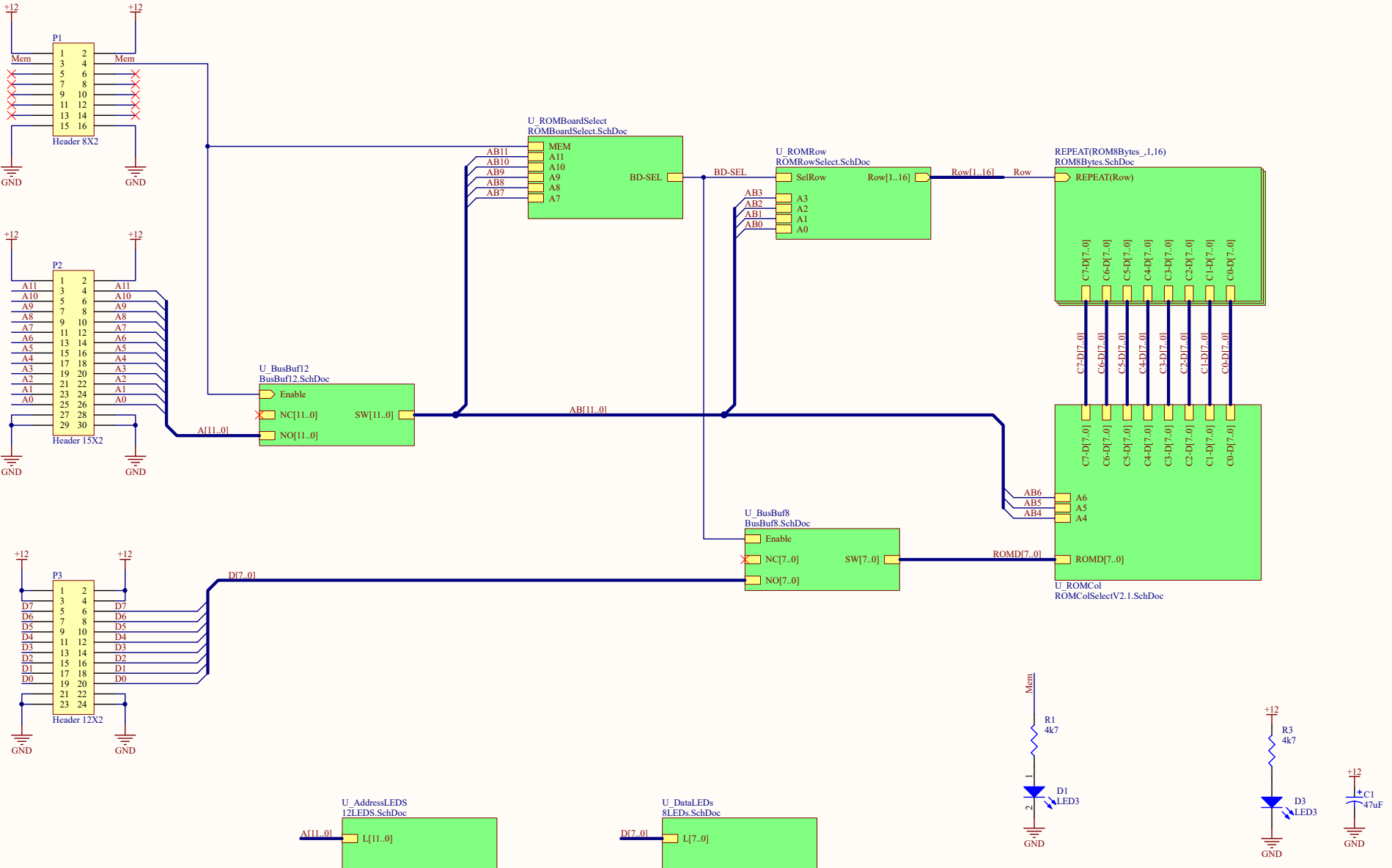
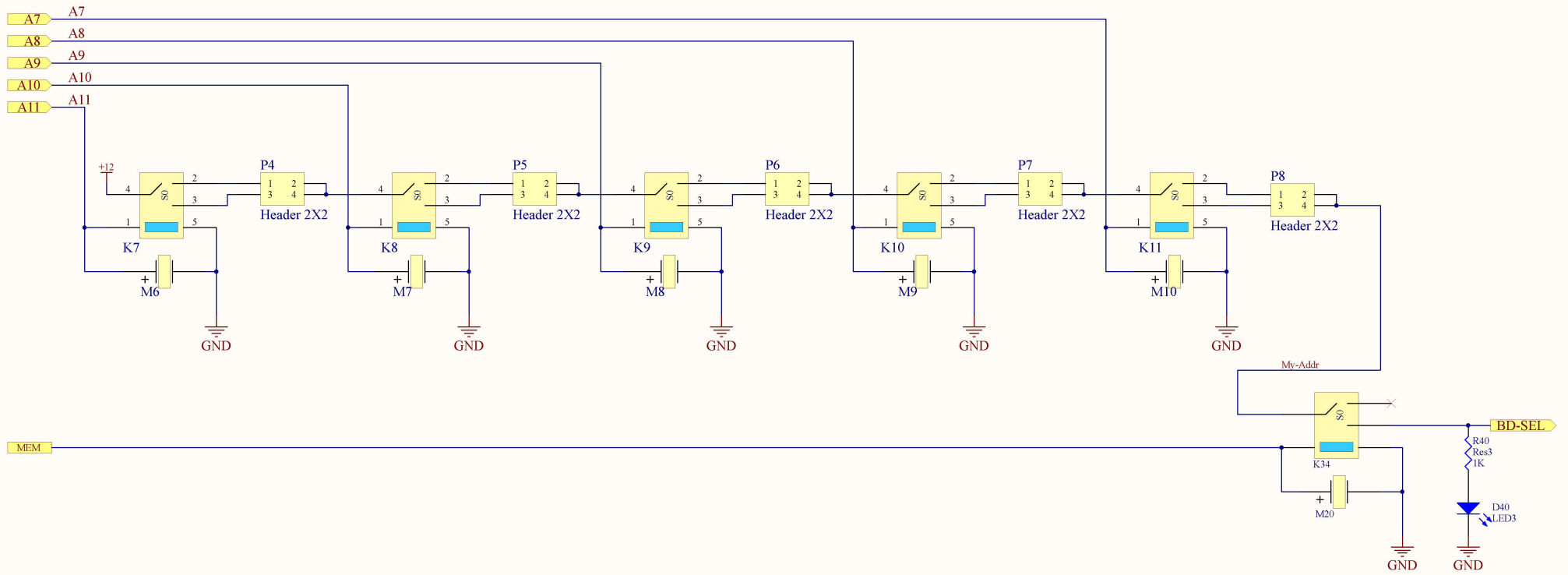


DAVIAC1, ROM

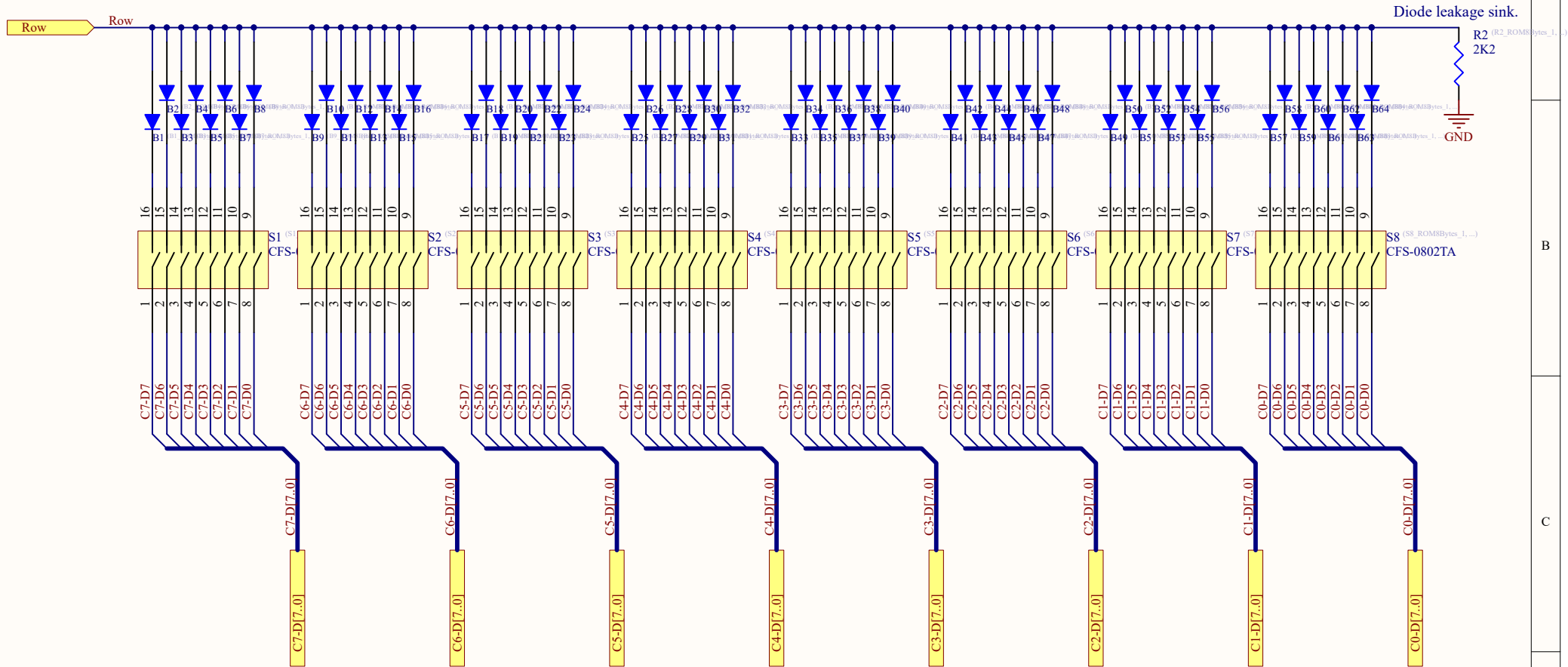


Title		
Size	Number	Revision
A3		
Date:	18/02/2024	Sheet of
File:	C:\Users\...VerySolidROM.SchDoc	Drawn By:

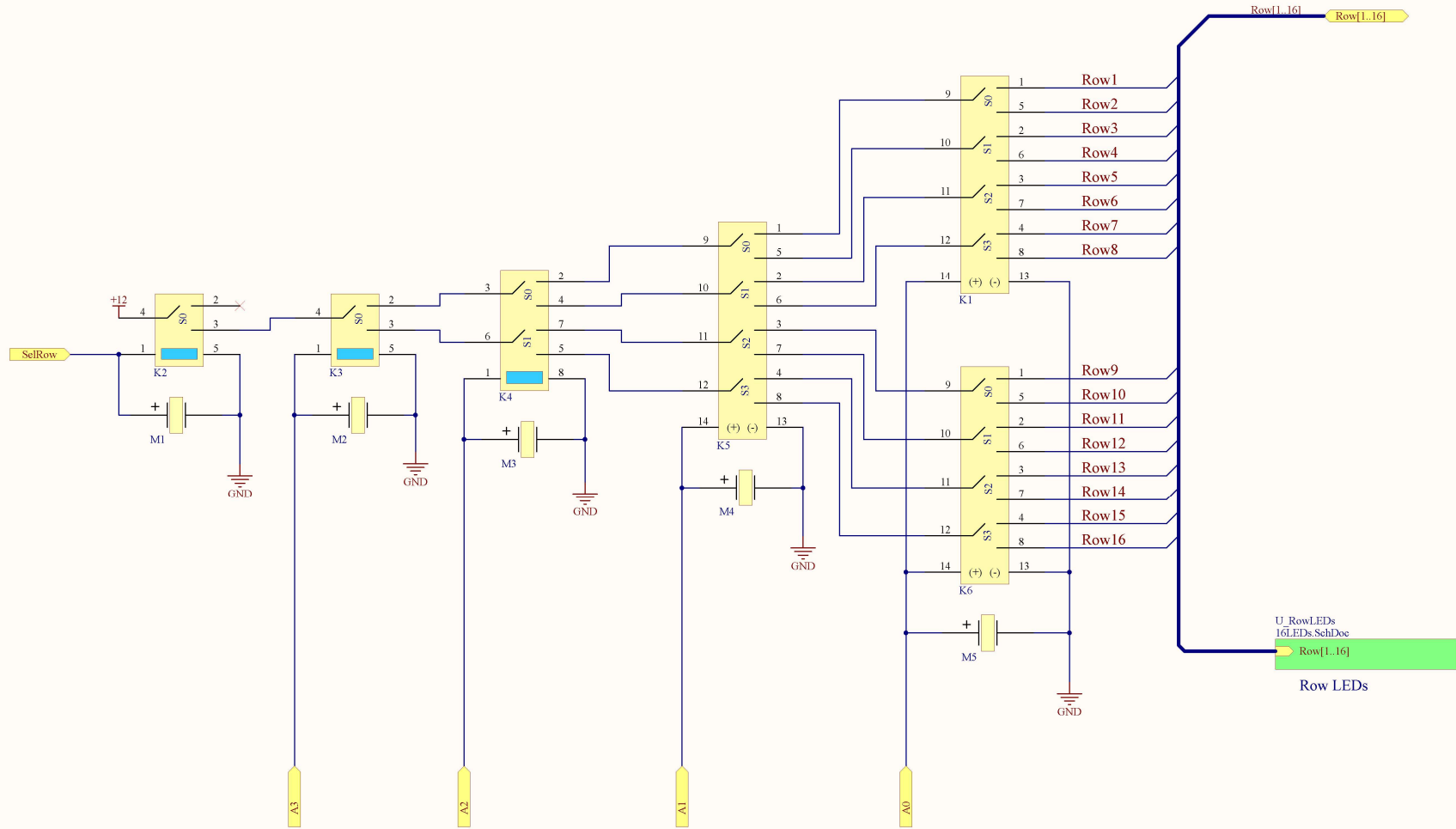


Place jumpers on the dual 2-pin connectors to select 1 or 0 per address line.
 With all higher address lines available each memory unit of 128bytes can be located anywhere in the memory space.

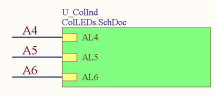
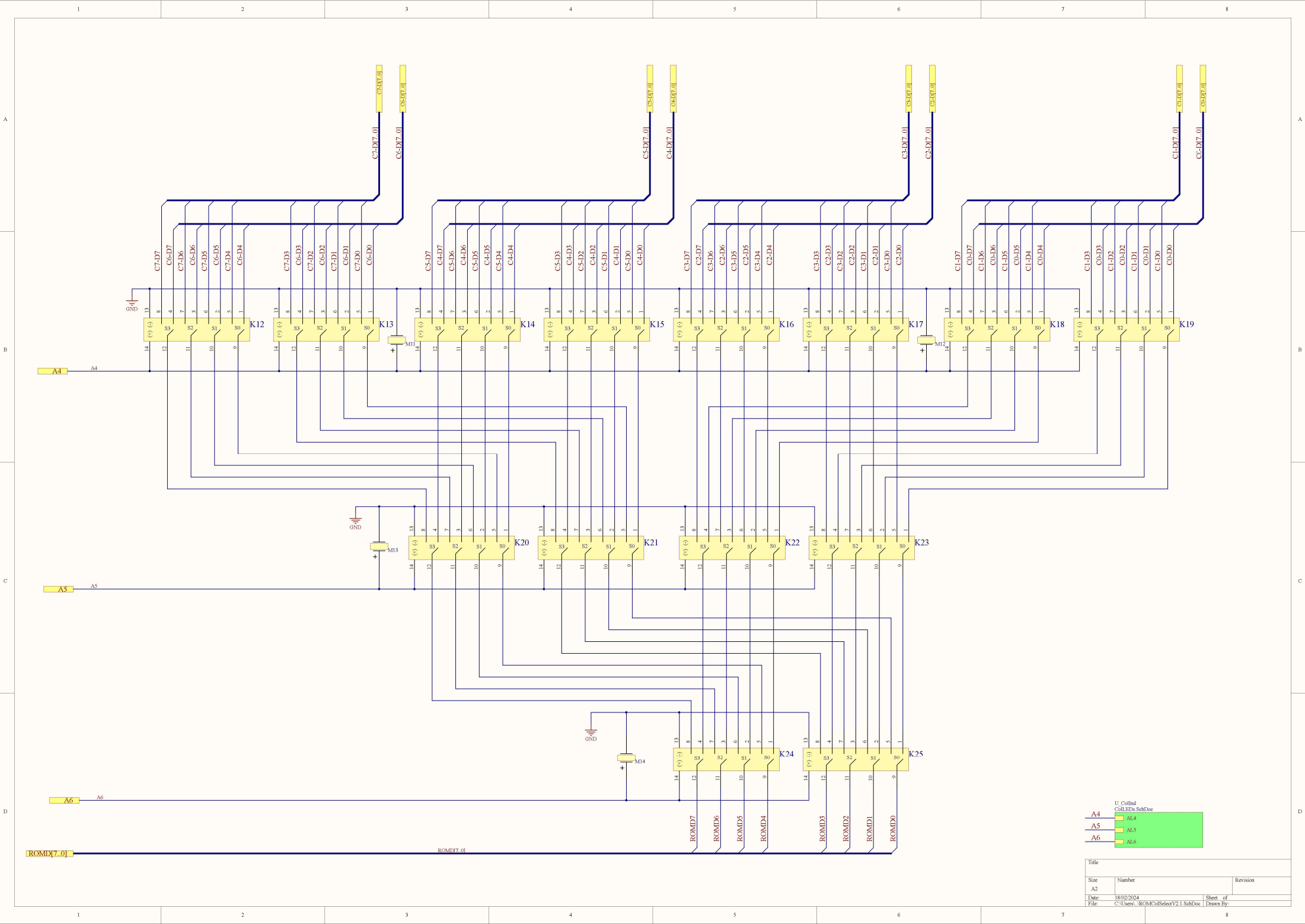
Title		
Size	Number	Revision
A3		
Date:	18/02/2024	Sheet of
File:	C:\Users\A\ROMBoardSelect_SchDoc	Drawn By:



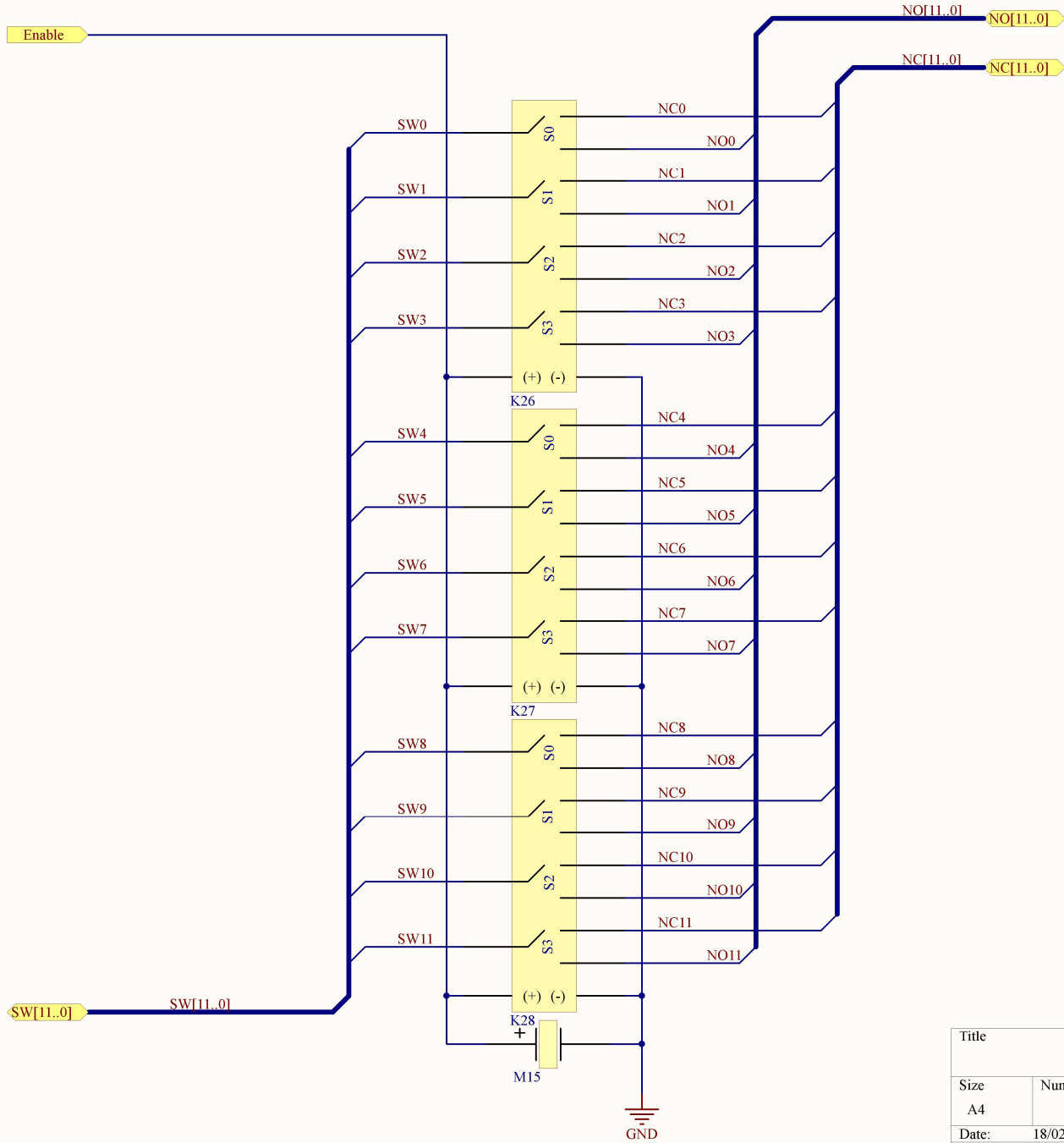
Title		
Size	Number	Revision
A4		
Date:	18/02/2024	Sheet of
File:	C:\Users\...\ROM8Bytes.SchDoc	Drawn By:



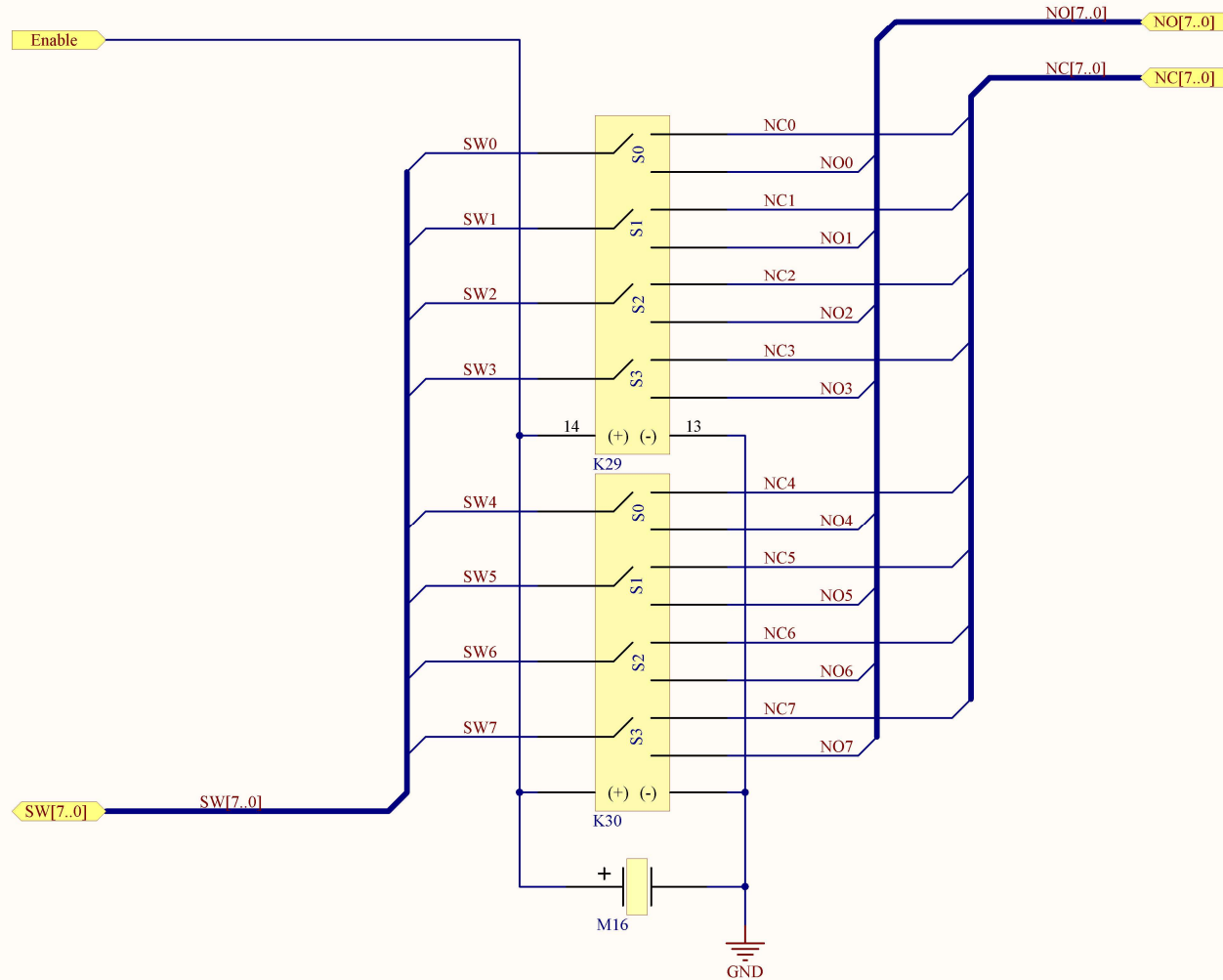
Title		
Size	Number	Revision
A3		
Date:	18/02/2024	Sheet of
File:	C:\Users\A.ROM\RowSelect.SchDoe	Drawn By:



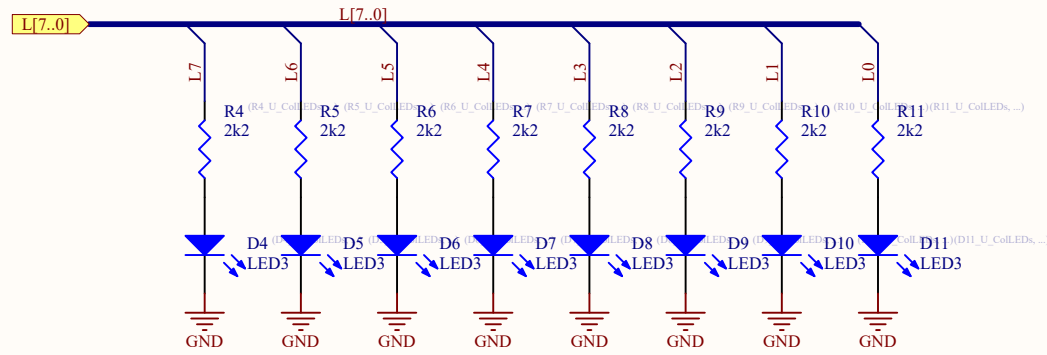
Title		
Size	Number	Revision
A2		
Date	18/02/2024	Sheet of
File	C:\Users\...ROMCdSelectV2.1.SchDoc	Drawn By:



Title		
Size	Number	Revision
A4		
Date:	18/02/2024	Sheet of
File:	C:\Users\...\BusBuf12.SchDoc	Drawn By:



Title			8-Bit Bus Buffer		
Size	Number		Revision		
A4					
Date:	18/02/2024		Sheet of		
File:	C:\Users\...\BusBuf8.SchDoc		Drawn By:		



Title		
Size A4	Number	Revision
Date:	18/02/2024	Sheet of
File:	C:\Users\...\8LEDs.SchDoc	Drawn By:

1

2

3

4

A

A

B

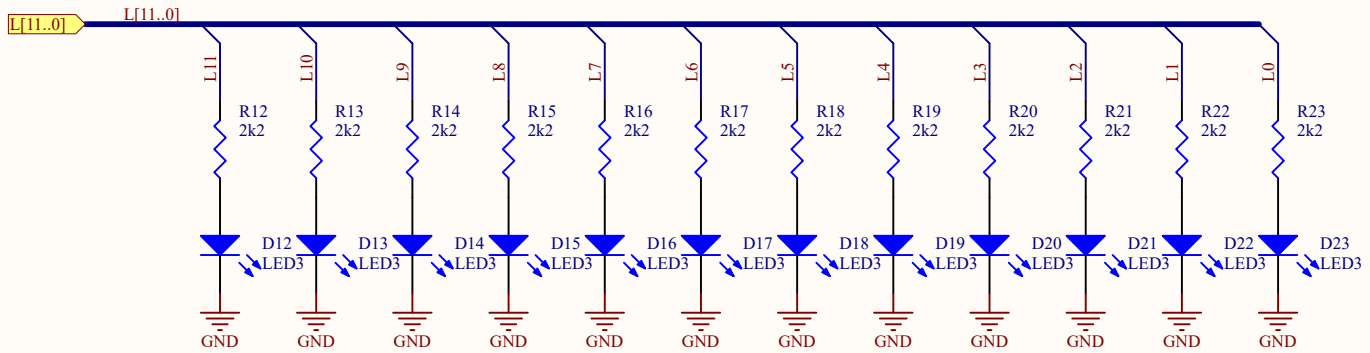
B

C

C

D

D



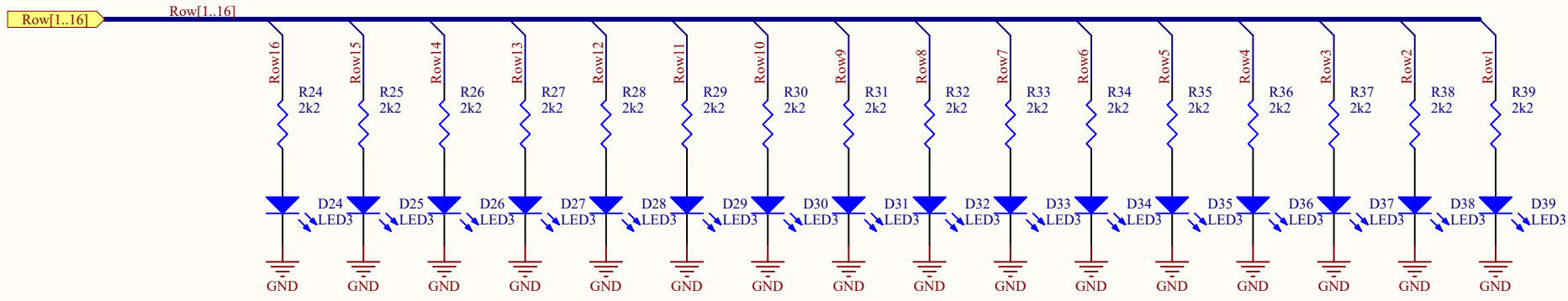
Title		
Size A4	Number	Revision
Date:	18/02/2024	Sheet of
File:	C:\Users\...\12LEDS.SchDoc	Drawn By:

1

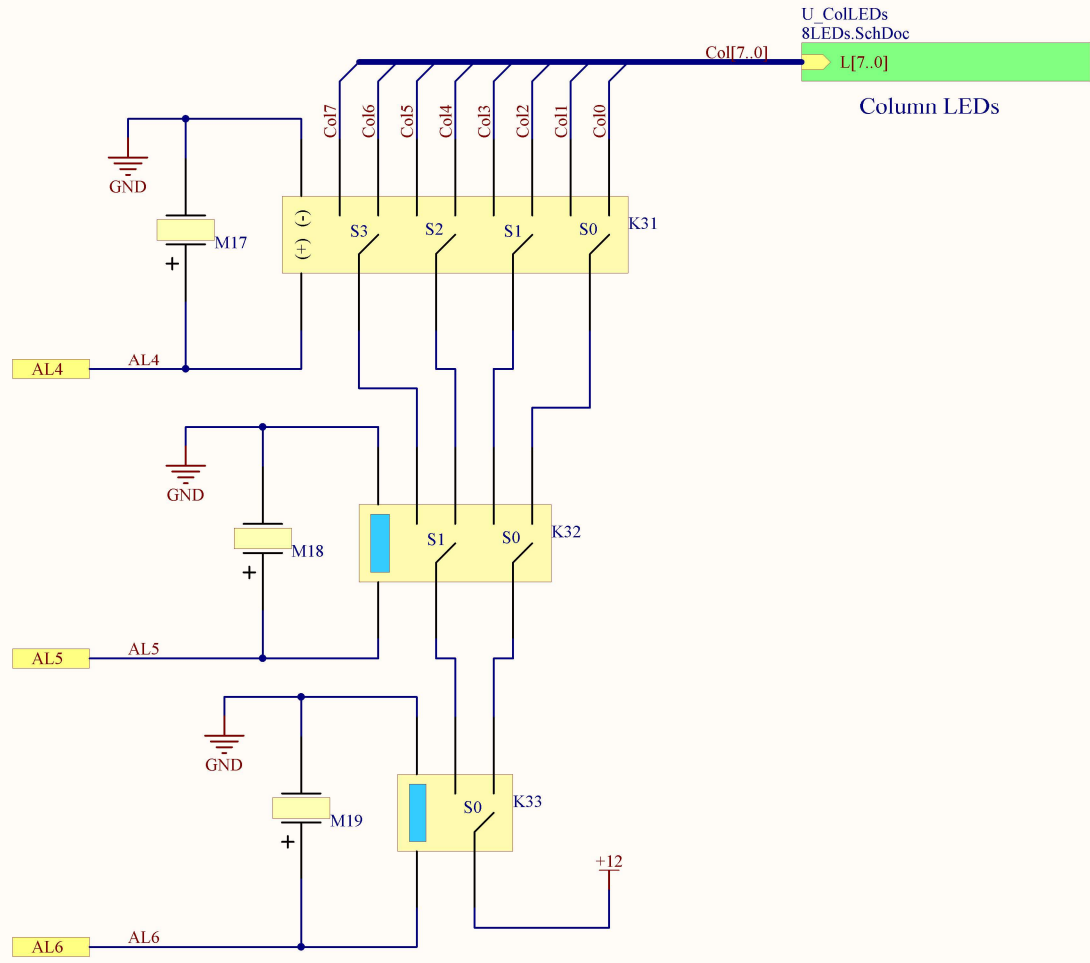
2

3

4



Title		
Size A4	Number	Revision
Date:	18/02/2024	Sheet of
File:	C:\Users\...\16LEDs.SchDoc	Drawn By:



Title		
Size A4	Number	Revision
Date:	18/02/2024	Sheet of
File:	C:\Users\...CoLEDs.SchDoc	Drawn By: